

DRAWINGS OF PROPOSED ACTIVITY SHOULD BE PREPARED IN ACCORDANCE WITH SAMPLE DRAWING

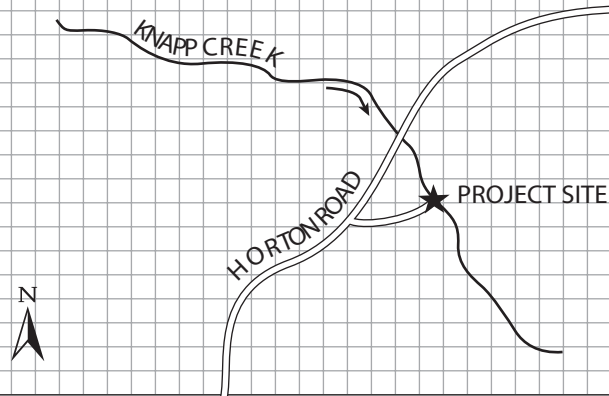
Location sketch (indicate scale.) Show route to project site: include nearest main road and crossroad.

CULVERT SAMPLE DRAWING WITHOUT ENGINEERED DESIGN

Fire Number _____

Proposed Materials

Scale: 1" = _____ ft.

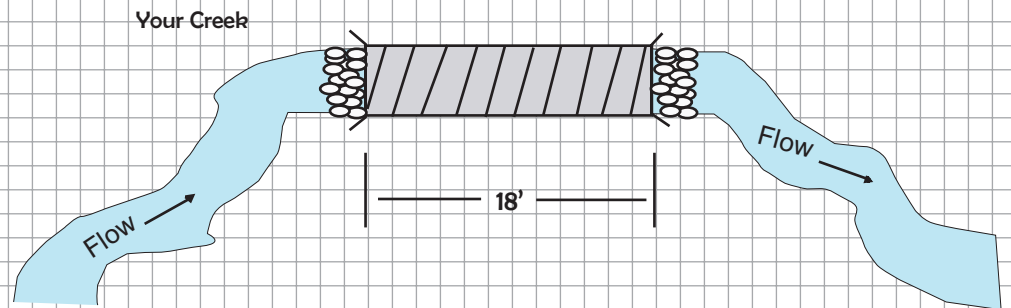


Project Plans. (Include top view and typical cross sections. Clearly identify features and dimensions or indicate scale.) Use additional sheets if necessary.



Scale: 1" = 10 ft.

Top View



Erosion Control Techniques

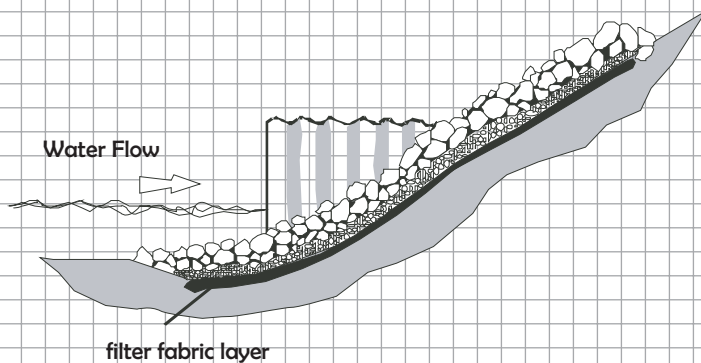
Additional Information

Will the proposed project affect the navigational use of the waterbody? Yes No

If "Yes", the following portage will be provided (describe portage: _____)

Side View

NOT TO SCALE



Cross Section

20 sq. ft. maximum culvert area (as calculated on worksheet)

