

#6 Cheese Country Bridge 19 Rehab

State of Wisconsin
 Department of Natural Resources
dnr.wi.gov

Motorized Recreation Grant Application

For: (choose all that apply)

Form 8700-159 (R 04/22)

Page 1 of 5

Due Date: April 15

ATV/UTV Trail Aid

Snowmobile Trail Aid

Notice: Completion of this form is required under Wisconsin Statutes 23.09(26) and 23.33. Failure to complete this form will result in denial of financial assistance. Personally identifiable information found on this form is not intended to be used for any other purpose. The Department of Natural Resources (DNR) may provide this information to requesters as required by Wisconsin's Public Records law {ss. 19.31 – 19.39, Wis. Stats.}.

Instructions: Applications may combine more than one source of funds. They may be submitted for consideration of traditional ATV, UTV, Snowmobile and Motorized Stewardship funding. Submit one copy of all forms and attachments. See Page 2 for necessary attachments. Send applications to your [Community Services Specialist](#).

| DNR Use Only | |
|--------------|--------|
| Category | Number |
| | |

Section 1: Applicant Information

| | | | | | | | |
|--|-------------|--------------------------------------|------|--|----------|--|--|
| Applicant / Organization Name Tri County Trails Commission | | | | Check Recipient: Individual other than authorized individual to act on behalf of the applicant. <input checked="" type="checkbox"/> Select if the same as applicant. | | | |
| Individual Authorized to Act on Behalf of Applicant per Resolution Thomas R. Jean | | | | Check Recipient Name (Name to Appear on Check) | | | |
| Title Trail Coordinator | | | | Title | | | |
| Address 15456 County Shop Road | | | | Address | | | |
| City Darlington | State WI | ZIP Code 53530 | City | State | ZIP Code | | |
| Telephone Number 608-574-4055 | | Email Address tandjjean@gmail.com | | | | | |

Section 2: Project Information Required for all Projects

| | | | | | |
|--|---------------|---------------------|----------------|------------------------------|---|
| Project Title Cheese Country Trail Bridge # 18 rehabilitation | | | | Current Funded Miles 57.5 | New Miles (if applicable) NA |
| County Lafayette | Township N | Range O E O W | Section ¼ ¼ | ¼ | GPS Coordinates: Lat. _____ Long. _____ |

Project Description Summary

Rehabilitation of Bridge #18 on the Cheese Country Trail over the Pecatonica River in Calamine WI. To include removal of existing deteriorated deck and sub standard railing (also deteriorated). Construction of a new Wheeler wood deck system including new railing, wear surface, approach work and landscaping.

I certify that all maintenance land use agreements are on file.

Estimated Cost

| Maintenance | Acquisition | Insurance | Development | Bridge Rehab. | Trail Rehab. | Total Estimated Cost |
|----------------------------|-------------|-----------|-------------|---------------|--------------|----------------------|
| | | | | 83,651.92 | | |
| Leave Blank – DNR Use Only | | | | | | |
| | | | | | | |

Applicant Certification

| | |
|---|---------------------------------------|
| Printed Name of Authorized Official Thomas R. Jean | Official's Title Trail Coordinator |
|---|---------------------------------------|

As the applicant's authorized official, I certify that, to the best of my knowledge, the information in this application is true and correct.

Thomas R. Jean
 Signature of Authorized Official

4-14-2023
 Date Prepared

Cheese Country Trail Bridge Deck Replacement

Bridge Length

64 ft

Base Unit Costs - Replace Existing Decking With Panel-lam system

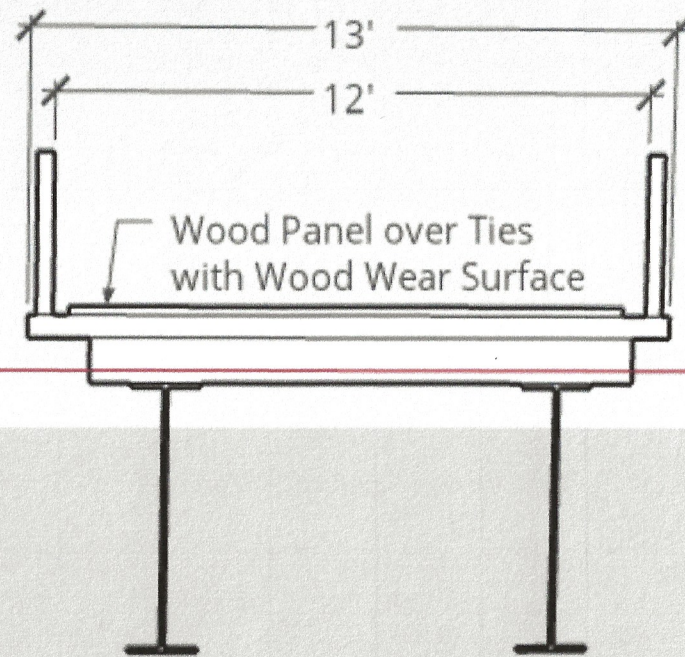
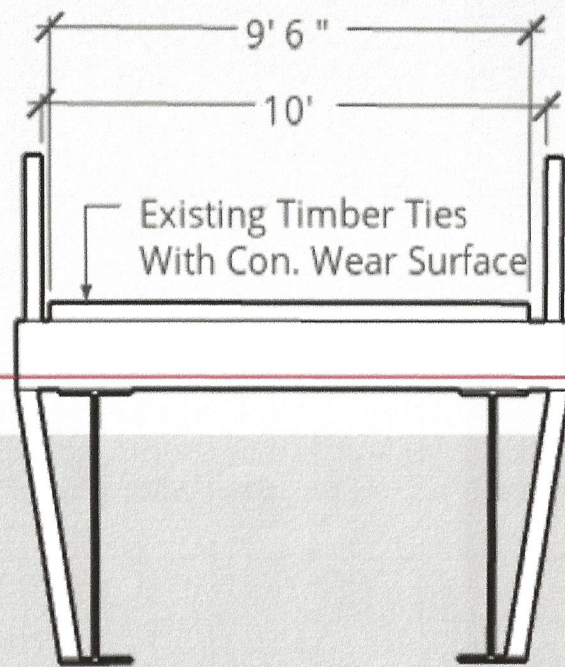
| Item | Unit | Estimated South Quantity | Estimated Cost/Unit | South Bridge Cost |
|--------------------------------------|------|--------------------------|---------------------|-------------------|
| Existing Railing Removal | LF | 128 | \$4.00 | \$512.00 |
| Existing Curb Removal | LF | 128 | \$4.00 | \$512.00 |
| Existing Wearing Surface Removal | SF | 608 | \$2.00 | \$1,216.00 |
| Existing Tie Removal | LF | 64 | \$10.00 | \$640.00 |
| Total Material Cost | LF | 64 | \$685.00 | \$43,840.00 |
| Deck Panel Installation | LF | 64 | \$70.00 | \$4,480.00 |
| Proposed Railing Installation | LF | 128 | \$20.00 | \$2,560.00 |
| Wear Course Installation | SF | 768 | \$3.00 | \$2,304.00 |
| Equipment Cost for Deck Installation | HR | 40 | \$75.00 | \$3,000.00 |
| Approach Work Excavation/Fill | CY | 75 | \$20.00 | \$1,500.00 |
| Approach Work Aggregate | CY | 22 | \$12.00 | \$264.00 |
| Seeding/Erosion/Finishing | SY | 60 | \$5.00 | \$300.00 |
| Mobilization | LS | 1 | \$5,000.00 | \$5,000.00 |
| Contingencies | LS | 1 | 15% | \$9,919.20 |

Totals \$76,047.20

Engineering 10% \$7,604.72

Total Project Cost \$83,651.92

Cheese Country Trial Bridge



Existing Cross Section

Proposed Cross Section

Arthur

To Mineral Point

Blanchardville

Belmont

Calamine

Fayette

Truman

#48
N 42° 44.442'
W 090° 10.161'

Lamont

Argyle

Darlington

#18

Woodford

Wiota

Cuba City

To Monroe

Benton

Lead Mine

Shullsburg

Gratiot

South Wayne

Hazel Green

Strawbridge

New Diggings

- Legend**
Trails
- Cheese Country Trail
 - Pecatonica Trail



1 inch = 19,250 feet

Cheese Country & Pecatonica Trails



Lafayette County Land Information
www.lafayettecountywi.org/lgi
Map features are a representation only and do not replace a survey or other legally recorded documents.
2015 Aerial Imagery
Map Created: April 2019

