

Registration Permit Application Guidebook

*Guide for Assisting Facilities in Applying for
Type A Registration Permits*

Air Management Program
Publication Number: AM-539-2019



*Wisconsin Department of Natural Resources
Air Management Program
PO Box 7921
Madison WI 53707*

(This page intentionally left blank.)

Registration Permit Application Guide

PART I - INTRODUCTION.....	4
1. WHAT ARE REGISTRATION PERMITS?	4
2. PROS AND CONS OF A REGISTRATION PERMIT	4
3. HOW CAN A FACILITY GET A REGISTRATION PERMIT?	5
4. ON-LINE APPLICATION.	6
5. PROS AND CONS OF COVERAGE UNDER THE REGISTRATION PERMIT.....	7
6. WHAT IS "SAFE HARBOR"?	8
7. ARE THERE FEES ASSOCIATED WITH A REGISTRATION PERMIT?	9
8. WHAT ARE THE OTHER OPTIONS IF THE FACILITY IS NOT ELIGIBLE FOR THE REGISTRATION PERMIT?	9
PART II - REGISTRATION PERMIT APPLICATION INSTRUCTIONS	11
1. CASE-BY-CASE DETERMINATIONS IN EXISTING PERMITS	11
2. ACID RAIN PROGRAM REQUIREMENTS.....	15
3. MUNICIPAL OR INFECTIOUS WASTE COMBUSTORS	16
4. NEW SOURCE PERFORMANCE STANDARDS (NSPS)	18
5. NATIONAL EMISSIONS STANDARDS FOR HAZARDOUS AIR POLLUTANTS (NESHAP)	22
6. CONTROL EFFICIENCIES	24
7. EMISSION LIMIT	27
8. HAZARDOUS AIR POLLUTANTS	34
9. STACKS	35
10. PARTICULATE MATTER.....	39
APPENDIX A – EMISSION UNITS NOT SUBJECT TO CERTAIN REGISTRATION PERMIT REQUIREMENTS	41
APPENDIX B - CATEGORIES OF SOURCES REQUIRED TO INCLUDE FUGITIVE PARTICULATE MATTER EMISSIONS IN THEIR EMISSION CALCULATIONS	43
APPENDIX C – NATIONAL EMISSIONS STANDARDS FOR HAZARDOUS AIR POLLUTANTS (NESHAP) SOURCE CATEGORIES	44
APPENDIX D – FEDERALLY REGULATED HAZARDOUS AIR POLLUTANTS LISTED IN S. 112(B), CLEAN AIR ACT	46

PART I - Introduction

This document contains basic information about Registration Permits to help facilities decide if a Registration Permit is the correct permit for the facility. This document is designed to familiarize facilities with all steps in the Registration Permit application process, the differences between a Registration Permit and traditional permits, and what is expected once a facility is covered under a Registration Permit.

There are three types of Registration Permits: Type A, Type B and Type C. This application guide will address only the Type A Registration Permit. The main difference between the Type A and Type B Registration Permit is that the Type A allows emissions up to 25% of the major source threshold for hazardous air pollutants (HAPs) and criteria air pollutants, while the Type B allows emissions up to 50% of the major source threshold. Lastly, the Type C Registration Permit is specific for printing facilities; it has similar emission thresholds as the Type A except that there are higher thresholds for HAP emissions. The major source thresholds are currently (as of 2015) 100 tons per year for each criteria pollutant, 10 tons per year for each HAP, and 25 tons per year for all HAPs combined. More information regarding all three Registration Permit types can be found at <https://dnr.wi.gov/topic/AirPermits/Options.html>.

1. What are Registration Permits?

The Registration Operation Permit (ROP) is a standardized air pollution control operation permit which authorizes facilities with low actual emissions to operate. The ROP places a limit on the amount of air pollution a facility is allowed to emit, and includes the methods that must be used to demonstrate that the facility meets the limit. Coverage under the ROP can also exempt a facility from construction permitting. A covered facility can make changes and add equipment without needing to obtain a construction permit so long as the facility continues to emit below the ROP limit and meet the eligibility requirements of the ROP.

Issued along with the ROP is a companion Registration Construction Permit (RCP). The RCP is nearly identical to the ROP. The RCP ensures a smooth and legal transition from the department's traditional permit program to the Registration Permit Program. All facilities that apply for coverage under the ROP will also be applying for coverage under the companion RCP. To keep this Guide as simple as possible, the rest of this document refers to Registration Permits. All the same eligibility requirements, compliance requirements, and procedures for obtaining coverage apply to both RCPs and ROPs.

2. Pros and Cons of a Registration Permit

A Registration Permit has a number of advantages over a "traditional" Operation Permit. These advantages include:

- Time-savings:
 - Simplified permit application process
 - Quick department permit decision – 15 days
 - Permit does not expire, never has to be renewed
- Money-savings:
 - No construction permit fees; exempts facilities from construction permitting so long as the construction does not result in emissions that exceed the limits or trigger a rule that makes the facility ineligible for the Registration Permit.
 - No revision or renewal or Construction Permit applications to fill out

- Flexibility:
 - More flexibility in choosing methods for demonstrating compliance
 - Annual records are allowed for annual emission limits
 - Changes can be made immediately without obtaining a Construction Permit
 - Safe Harbor - Protects facilities that make reasonable efforts to identify and comply with applicable state air pollution regulations from enforcement. (See section 6 for additional details.)

A drawback of a Registration Permit is that it does not list all state and federal air pollution regulations that apply to a facility. The department has developed and will continue to refine and develop tools to assist facilities in identifying and complying with applicable air pollution regulations, but it may still require significant effort and staff time to identify applicable requirements and figure out how the facility will demonstrate compliance with them. If the facility has a permit that was issued by the department in the past, that document would contain pertinent information.

3. How Can a Facility Get a Registration Permit?

Compared to traditional permitting, the process of obtaining a Registration Permit is simple. The process includes:

- A. First, review the Registration Permit application questions and determine if the facility is likely to qualify for a Registration Permit. Part II of this Application Guide contains additional help on answering those questions. The Registration Permits section of the department's website, <https://dnr.wi.gov/topic/AirPermits/Options.html>, also provides Registration Permit Compliance Guidance to explain how to take advantage of the benefits and fulfill the obligations of coverage under a Registration Permit.
- B. Most of the questions on the application are straight forward, but some questions may require additional work before a facility is ready to apply for the Registration Permit:
 - i. Estimating annual actual emissions – A facility must be able to submit an estimate of the annual emissions of criteria pollutants, hazardous air pollutants, and greenhouse gases. Additional help on calculating emissions is available under the air section on Wisconsin's Small Business Environmental Assistance website at <https://dnr.wi.gov/topic/smallbusiness/>
 - ii. Particulate Matter Emissions and Air Quality Modeling – Facilities that emit particulate matter may have to submit information to the department so that air quality modeling can be performed to ensure that the emissions will meet the 24-hour particulate matter standard. Go to Question ten in Part II of this Registration Permit Application Guide for information on how to calculate the facility's maximum controlled particulate matter emissions. If the emissions are over five tons per year, the facility is required to fill out and submit the Modeling Assessment Appendix to the Application included at the end of this Guide.
 - iii. Stack Requirements and Air Quality Modeling – The Registration Permit requires that stacks at the facility be vertical, without obstructions such as rainhats, and taller than nearby buildings. If stacks at the facility do not meet Registration Permit stack requirements, the facility can still qualify for the Registration Permit, by using air quality modeling results to show that emissions from the stacks meet all the air quality standards. Use the Modeling Assessment Appendix available at the end of this Guide to provide air quality modeling results demonstrating that the facility emissions meet national ambient air quality standards (NAAQS). (See Question 9 of Part II.)

- C. Go to <https://dnr.wi.gov/topic/AirPermits/Options.html> and click on the link to the on-line or paper application. Answer the questions, complete the facility information, print, have the responsible official sign and mail the final application and, if necessary, the Modeling Assessment and any other attachments to:

WISCONSIN DEPARTMENT OF NATURAL RESOURCES
BUREAU OF AIR MANAGEMENT
AM/7 – ROP
P.O. BOX 7921
MADISON, WI 53707-7921

Within 15 business days of receiving the complete signed application, the department will notify the facility of its decision on whether to grant coverage to the facility under the Registration Permit. When applying for Registration Permit coverage, the facility is also requesting revocation of any existing permits issued to the facility. The revocation step will add time to the review. If the facility has existing permits, the application will be declared incomplete until a notification is mailed to interested parties and posted on the department's public notice website and a 14 or 21-day waiting period has passed. For revocation of only construction permits the waiting period is 14 days, while revocation of an operation permit requires a 21-day waiting period. Existing permits will remain active until the Registration Permit coverage is approved.

4. On-line application.

The Registration Permit Applications are available online. The facility can apply on-line through the [DNR Switchboard](#) (the department's secure eBusiness portal). To use the online system each user must have a WAMS ID and also request access to "Air Permit Actions," which can be done through the [DNR Switchboard](#).

Step-by-step instructions on how to obtain access

First, go to the Switchboard webpage: <https://dnr.wi.gov/topic/Switchboard/>

If a new WAMS ID is needed, start here. If the user already has an ID, proceed to step 2.

1. Click on **Create WAMS ID** and follow the instructions. After submitting all information, the user will be prompted to activate their WAMS ID by checking their email.

Note: each user will need to have an email address. The system will not allow users to share an email address.

2. Requesting access to Air Permit Actions

Go to the Switchboard webpage: <https://dnr.wi.gov/topic/Switchboard/>. Click on **Request Access** and follow the instructions.

*Note: In the Electronic Role Information section, check **Air Permit Actions**. Click on **Submit**.*

A page will appear with the information the user has submitted. Print this page, sign it, and mail it in order to complete the registration process. The department cannot complete the registration process without this signed paper copy. Please mail immediately to the following address:

SWITCHBOARD REGISTRATION - SS/7
WI DNR - SCIENCE SERVICES
PO BOX 7921
MADISON WI 53707-7921

Please allow 2 to 3 business days for department staff to process the registration. The new user will receive an email from department notifying them that access is now available.

To **log in**, go to <https://dnr.wi.gov/topic/Switchboard/>

If any problems occur with the Wisconsin User (WAMS) ID or the department's Switchboard Registration process, please contact the Switchboard Helpdesk at dnrswitchboard@wisconsin.gov or (608) 267-3123.

5. Pros and Cons of Coverage Under the Registration Permit

Facilities should be aware of other considerations that may result after being covered under the Registration Permit:

- Permits and/or orders that were previously issued to the facility will be revoked when the facility applies for coverage under the Registration Permit. Specific conditions in these permits will also be revoked, and the facility will be required to instead follow the requirements in the Registration Permit and applicable regulations as listed in the Wisconsin Administrative Code. An example is the latest available control technology (LACT) requirement. If the facility emits organic compounds and is subject to s. NR 424.03, Wis. Adm. Code, the facility may have a LACT determination and requirements in an old permit that are specifically tailored to the facility. When the old permit is revoked, the facility will be required to either control emissions by 85% or follow the LACT contained in the Registration Permit.
- Once covered under the Registration Permit, the facility must continue to meet all applicable air pollution emission limitations and requirements in chapters NR 400 – NR 499, Wis. Adm. Code and all applicable federal requirements, even though they are not listed in the Registration Permit.
- Facilities are required to monitor and record operation and emissions related data as specified in the Registration Permit and as required to demonstrate compliance with all applicable state and federal air pollution regulations.
- Facilities are required to submit an annual compliance certification and annual monitoring report to address all permit requirements by March 1st of every year after their first full calendar year of coverage under the Registration Permit that:
 - Certifies compliance with the terms and conditions of the Registration Permit as well as all other applicable state and federal air pollution regulations; and
 - Provides a summary of monitoring conducted at the facility.

There is a template (Form 4530-178) available under the Compliance tab on the Air Permit and Compliance website (<https://dnr.wi.gov/topic/Airpermits/forms.html>) that when submitted will fulfill both the annual compliance certification and monitoring report requirements.

- Facilities covered under a Registration Permit are required to report emissions to the Wisconsin Air Emissions Inventory if emissions exceed the reporting thresholds in ch. NR 438, Wis. Adm. Code. If emissions are less than reporting thresholds, the facility must send written notification of this fact to the air compliance inspector responsible for the facility. Either the Air Emissions Inventory report, or the notification if below reporting levels, is due by March 1st each calendar year. An extension of this deadline until March 15th may be requested; contact the air compliance inspector responsible for the facility.
- If reporting emissions is required under ch. NR 438, Wis. Adm. Code, **there is also a certification** that is due at the end of June every year; this certification is different than the permit specific annual compliance certification and monitoring report due at the beginning of March.

- If facilities utilize pollution control devices such as baghouses, scrubbers, and cyclones, they must meet the control efficiencies listed in the Registration Permit, and they must use those efficiencies to calculate their actual emissions for demonstrating compliance with the Registration Permit emissions limit. If an emission unit is subject to an applicable limitation that specifically requires higher control efficiency, then the facility may use that control efficiency to calculate actual emissions but only for the emission unit covered by the requirement.
- Once covered under the Registration Permit, changes can be made to the facility without having to obtain a Construction Permit, as long as the facility continues to meet the terms and conditions and the eligibility requirements for the Registration Permit. If the facility will not meet a term or condition of the Registration Permit or will become ineligible, the facility must apply for and receive a traditional permit from the department *before* any changes are made that may result in the facility becoming ineligible for the Registration Permit.
- Also, if the facility's maximum controlled emissions of particulate matter are over five tons per year and modeled emissions exceed certain impact levels, or if the facility's stacks do not meet the Registration Permit stack requirements, then before making changes that would increase emissions or changes to stacks that would decrease the dispersion of air pollution, the facility must show through air quality modeling that emissions will continue to meet air quality standards.

6. What is "Safe Harbor"?

The following Safe Harbor provisions only limit the ability of the Wisconsin Department of Natural Resources (WDNR) to take enforcement actions. Under the currently-approved State Implementation Plan (SIP) the US Environmental Protection Agency (EPA) retains the ability to pursue enforcement in cases where the department could not do so.

Safe harbor is a "grace period" of 90 days for facilities to achieve compliance with an applicable regulation in chs. NR 400-499 that they did not know they were subject to and subsequently violated or are currently violating. Safe Harbor is available as long as the facility previously made a good faith effort to identify the regulations in chs. NR 400 – 499 that apply to its operations. Safe harbor means that there is no penalty for non-compliance discovered at a facility (i.e., the department will not take enforcement action), as long as all of the following are met:

- The facility performed and documented a reasonable search and evaluation to identify applicable air pollution regulations and to determine if the facility was meeting those requirements;
- The facility retains documentation demonstrating that the search and evaluation that was conducted was reasonable. This documentation must be kept on site and be available for inspection by department personnel upon request;
- If the facility subsequently discovers a regulation that applies to it, the facility notifies the department of the overlooked regulation within 21 days of identifying it; and
- The facility achieves and certifies compliance with the applicable regulation within 90 days after notifying the department.¹ A facility can ask the department to extend the grace period if more time is needed to achieve compliance.

Safe harbor recognizes that air pollution regulations are complex and numerous. With safe harbor, a facility has an incentive to rigorously investigate and follow up on its compliance status and work with the department to find the best way to meet the obligations and standards in the law.

¹ The department has the authority to order the facility to achieve compliance in a shorter time period if the shorter time period is feasible and necessary to protect public health and the environment.

How does a facility qualify for safe harbor?

- Operate in compliance with the Registration Permit that the facility is covered under;
- Conduct a *reasonable search and evaluation* initially, and again when emission units are added or modified, when new regulations are published, or when an industry association develops new data:
 - Identify regulations found in chs. NR 400-499, Wis. Adm. Code, which apply to the facility.
 - Determine whether the facility is meeting those regulations.
- Maintain documentation on-site to demonstrate that the search and evaluation that was conducted prior to identifying the applicable regulation was reasonable;
- After this search and evaluation, continue to operate in compliance with the regulations that were identified;
- If non-compliance with a previously unidentified applicable regulation is discovered at some point after the search and evaluation:
 - Submit a written notification to the department **within 21 days after** identifying non-compliance with an applicable requirement;
 - Certify that the facility is in compliance with the applicable requirement by the appropriate deadline:
 - By default, no later than 90 days after notifying the department; OR
 - If an extended deadline is requested by the permittee AND granted by the department, then by the deadline specified by the department; OR
 - If the department orders a deadline less than 90 days after notifying the department, then by that deadline.

How does a facility know and demonstrate that their search and evaluation was "reasonable"?

Section NR 407.105(7), Wisconsin Administrative Code (WAC), indicates that "[a] reasonable search and evaluation" includes a search and evaluation of chs. NR 400 to 499, and shall include a reasonable effort to review other readily accessible information relevant to the facility's operations, such as databases, workshops and materials available through trade associations, vendors, the department's Small Business Environmental Assistance Program (SBEAP), the U.S. EPA and other recognized sources of information on air regulations.

Keep a written copy of the results of the search and evaluation at the facility for inspection upon request for as long as the facility is covered under the Registration Permit.

7. Are There Fees Associated With a Registration Permit?

Yes. Once covered under a Registration Permit, all facilities are charged a \$400 annual fee due at the end of every June. There is not a fee associated with applying for a Registration Permit.

8. What are the Other Options if the Facility is Not Eligible for the Registration Permit?

The purpose of this Guide is to prepare facilities to accurately answer the Registration Permit Application questions, and to advise, before using the application, whether the facility is eligible for the Registration Permit.

The Registration Permit eligibility determination is NOT a permanent situation. Facilities not eligible at this time, may make operational changes and apply again. For example, if the control equipment does not meet the control requirements in the Registration Permit, the facility can make improvements and

reapply. If the emissions are over the emission limit, the facility can reformulate a raw material, install control equipment, or make other process changes to reduce emissions and reapply. There is also a Type B Registration Permit that allows for emissions up to 50% of the major source threshold instead of the 25% that is allowable under the Type A Registration Permit. More information can be found at <https://dnr.wi.gov/topic/AirPermits/Options.html>.

PART II - REGISTRATION PERMIT APPLICATION INSTRUCTIONS

(Below are each question (1-10) and the additional information exactly how they are written in the June 2018 version of the ROPA application, followed by further supporting information provided by this guide. Please note which version of the application is being completed.)

1. Case-by-Case Determinations in Existing Permits

Question 1:

1a. Does the facility have any existing air permits (construction or operation)?

1b. If "Yes" to 1a, are the permits all revocable? (To understand whether permits may not be revocable, please review the Additional Information below.) If you answer No to this question, you are NOT eligible for the Registration permit.

- If you answer Yes to 1b., go on to question 2.
- If you answer No to 1b, then you are indicating that you have a permit condition that may NOT be revocable. A facility that needs case-by-case determinations in a permit, such as BACT or LAER, is not eligible for a registration permit. A permit with RACT or LACT avoidance limits or case-by-case determinations may be revocable if the facility elects to comply with alternative requirements. The department will need to review the existing permits to determine if they are revocable.

ADDITIONAL INFORMATION: Permits that have conditions set either as avoidance limits or as case-by-case determinations to comply with certain requirements (i.e. emissions caps, control requirements) may not be revocable. The requirements that may trigger avoidance limits or case-by-case determinations in existing permits may include: chs. NR 405 or 408 New Source Review (NSR) Major Source construction permits (caps or Prevention of Significant Deterioration (PSD) BACT/Nonattainment NSR LAER controls); ch. NR 445 (caps or BACT/LAER); ch. NR 420 or 422 RACT (avoidance caps); or ch. NR 424 LACT (case-by-case determination).

If you have been issued permits in the past, they can help you determine if you have emission units covered by avoidance limits or BACT/LAER/LACT/RACT requirements. When answering this question, please note that the emission caps in the Registration Permit are considered enforceable caps on potential to emit. These limits may eliminate your need to retain any avoidance limits in existing permits. You can use the comment section below to provide additional information on such situations. Keep in mind that some NSR Major Source construction permit (PSD or Nonattainment) avoidance limits may not be maintained using ROPA emission limits of 25 tons per year. And specifically, a limit set under s. NR 405.08, Wis. Adm. Code, cannot be modified or revoked.

Facilities that have case-by-case BACT or LAER determinations in their permits, whether for a NSR Major Source construction permit or for NR 445 requirements, do NOT qualify for registration permit coverage.

There is further explanation of this in the Registration permit application guide for Type A permits, publication number AM-539 (<https://dnr.wi.gov/files/PDF/pubs/am/AM539.pdf>). If questions remain about existing permits and whether they are revocable, contact the Registration Permit Coordinator at 608-273-5605, or email DNRRamROPSairpermit@wisconsin.gov.

What does this question mean?

BACT = Best Available Control Technologies
LAER = Lowest Achievable Emission Rate
RACT = Reasonably Available Control Technology
LACT = Latest Available Control Techniques and operating practices

BACT and LAER refer to control requirements established to reduce emissions for either Major New Source Review (PSD or Nonattainment) in chs. NR 405 or 408, or hazardous air contaminants in ch. NR 445. These requirements are considered case-by-case determinations because they require the department to take into consideration the specific circumstances of each facility and process and set an emission limit or work practice standard that may be unique for that facility.

- The Major New Source Review requirements are case-by-case determinations completed during the construction permit application and review process for sources that meet the size criteria included in ch. NR 405 or NR 408, Wis. Adm. Code. An avoidance limit may be included in a construction permit to allow a project to be reviewed under the NR 406 construction permit process. If that avoidance limit were revoked, the facility would need to go back and complete the Major Source construction permit application process, even if the equipment constructed under the original permit had been removed.
- Chapter NR 445 is a regulation affecting facilities that emit known or suspected carcinogens over thresholds listed in the code. If a facility's operation permit must contain BACT or LAER requirements, that facility is not eligible to be covered by a Registration Permit. This is because the Registration Permit is a generalized permit and cannot contain special requirements for individual facilities.

LACT applies to facilities that emit volatile organic compounds and, under s. NR 424.03(2)(c), Wis. Adm. Code, cannot meet the general requirement of 85% control of organic compounds. Chapter NR 424 applies if the facility's processes are not subject to other specific organic compound emission limits found in chs. NR 419, NR 420, or NR 422. LACT is usually a case-by-case determination. However, the department has put a generalized LACT into the Registration Permit so that more facilities can qualify for coverage. If the facility is subject to LACT but not subject to any other case-by-case determinations, then it is still eligible for coverage under the Registration Permit.

RACT rules in chs. NR 420 and 422 established control requirements for certain industries with emissions of volatile organic compounds in an effort to reduce ozone emissions in counties that did not meet national ambient air quality standards. Most RACT rules have applicability thresholds ranging from 3 tons per year to 100 tons per year. Facilities may have elected to restrict their emissions below an applicability threshold in a construction and/or operation permit to avoid having to meet the RACT requirements. After revoking an existing permit with a RACT avoidance limit, the facility will be required to meet the RACT limit that applies. In this case, a facility is still eligible for coverage under the Registration Permit.

A facility's existing Construction or Operation Permits will be reviewed to ensure that they can be revoked. The department will not revoke previous permits unless it believes that the facility will not be subject to BACT or LAER upon coverage of the facility under the Registration Permit.

What are BACT and LAER?

If a facility meets the size criteria for the Major Source construction permit program, whether in PSD or Nonattainment programs, then BACT or LAER control requirements must be included in the construction permit. In that case, a facility's construction permit application must include a top down analysis of the control devices best suited to the process being installed, based on technical and economic assessments of viability. Facilities in attainment counties, under the PSD program, must evaluate controls to BACT level. Facilities in nonattainment counties must apply control that is LAER. The department must concur with the facility's evaluation of BACT or LAER and then will include the appropriate control device and related compliance demonstration requirements in the construction permit. US EPA maintains a RACT/BACT/LAER clearinghouse to assist facilities with this analysis.

If a facility emits a hazardous air contaminant that has a control requirement listed in the tables of ch. NR 445, Wis. Adm. Code, and the annual emission rate from all stacks in a stack height category is greater than the thresholds specified in Tables A-C of ch. NR 445, the facility may be subject to BACT or LAER. The department will make a case-by-case determination of BACT or LAER for their processes to control emissions of these harmful substances. However, a facility may consider the restrictions on the emissions imposed by the Registration Permit when determining if the emission rates will be over the NR 445 thresholds after coverage. More information and a link to ch. NR 445, Wis. Adm. Code tables are available at the department's air toxic and mercury website: <https://dnr.wi.gov/topic/airquality/toxics.html>.

How can a facility determine if it is subject to a case-by-case determination?

If the facility already has air permits for processes at the facility, the permits should be reviewed for the words LACT, BACT or LAER. If there are no permits or it cannot be discerned from the permit whether or not the facility is subject to LACT, BACT or LAER, contact the environmental assistance coordinators at the Small Business Environmental Assistance Program for more help in determining whether or not the facility is subject to a case-by-case determination.

What if the facility was previously subject to a BACT or LAER requirement under NR 445, but now has emissions below the threshold?

If actual emissions of a hazardous substance at the facility are below the new thresholds in ch. NR 445, the facility can obtain relief from the BACT or LAER requirements with a Registration Permit because the revisions to ch. NR 445 discontinued the once-in-always-in policy. As long as the emissions of the pollutants at the facility which have BACT or LAER as control requirements in ch. NR 445 are below the appropriate thresholds listed, the facility may be eligible for a Registration Permit. When calculating emissions, the facility should look at the conditions in the Registration Permit (i.e., if the emissions are controlled, use the control efficiency in the Registration Permit). In addition, the facility may choose to perform risk modeling to demonstrate that the predicted risk for the pollutant in question is below the allowable risk contained in NR 445.

How will the status for obtaining a Registration Permit be affected if the facility already has a permit with a LACT determination?

If the facility already has a permit with a LACT determination under s. NR 424.03(2)(c), Wis. Adm. Code, the facility may still be eligible for coverage under a Registration Permit. Existing permits will need to be revoked. A previous LACT determination will be revoked along with these permits. If the facility chooses to move forward with Registration Permit coverage, it will need to meet the requirements of s. NR 424.03 by either controlling organic compound emissions by 85%, or by limiting the emissions from the affected process line to 10 tons organic compounds per year and meeting the LACT contained in the Registration Permit (refer to Section A of the Registration Permit). Some types of processes may also elect to meet a specific VOC limits in chs. NR 419-423. If the facility can comply with the s. NR 424.03 requirements in the Registration Permit, it may continue to apply for coverage under the Registration Permit. If instead the facility prefers to retain the original LACT or the facility does not believe it can comply with the LACT in the Registration Permit, the facility should retain the traditional permit.

What if a facility still needs more help determining if the facility is currently covered by any existing Construction Permit(s)?

- If a facility is unsure it is subject to a case-by-case determination, please visit the department's website at: <https://dnr.wi.gov/topic/AirPermits/Search.html>. (If the facility has any permits that were issued prior to 1990, they may not be located on this website. Call the Registration Permit Coordinator at the number below.)
- Contact the facility's assigned compliance inspector for additional help in the determination. A compliance staff list is available at <https://dnr.wi.gov/topic/AirQuality/Contacts.html>, or if the facility has existing air permits, contact regional air program as specified in the air permit (most likely found under the "Total Facility" or "Other Conditions Applicable to the Entire Facility" section(s) of the air permit).
- Contact the Registration Permit Coordinator at 608-273-5605, or email DNRamROPSairpermit@wisconsin.gov for additional help in the facility's determination.

2. Acid Rain Program Requirements

Question 2:

Is the facility an affected source under the Acid Rain Program?

- If NO, go on to question 3.
- If YES, the facility is an affected source under the Acid Rain Program and is not eligible for a Registration Permit.

ADDITIONAL INFORMATION: *Unless the facility generates electricity by combusting fossil fuels and the capacity to generate electricity is greater than 25 megawatts, facilities can answer NO to this question. If unsure whether or not the facility is an affected source for the Acid Rain Program, go to https://docs.legis.wisconsin.gov/code/admin_code/nr/400/409.pdf for more information.*

What does this question mean?

Facilities subject to the Acid Rain Program are typically electrical utilities or facilities emitting large amounts of sulfur dioxide. If the facility does not generate electricity or emit large amounts of sulfur dioxide, then answer no to this question. More information is included below for those still unsure how to answer this question.

- An "affected source" is a facility that has process(es) that are subject to the standards under ch. NR 409, Wis. Adm. Code, otherwise known as the Acid Rain Program regulations. These regulations apply to certain power generation emission units. The specific units that are subject to these requirements are listed in s. NR 409.01(1), Wis. Adm. Code: https://docs.legis.wisconsin.gov/code/admin_code/nr/400/409.pdf. Note that US Department of Energy form EIA-860 only applies to electric generating plants with a nameplate rating of 1 megawatt (1000 kW) or more, and therefore, units under 1000 kW are not a 'generator' under s. NR 409.02(42), Wis. Adm. Code. These units would not be considered an affected source for the purpose of the application.

How will the status for obtaining a Registration Permit be affected if the facility is defined by this source type?

The facility will not be eligible to apply for a Registration Permit.

Is there a place to go for more help to determine the facility's status as this source type?

- Contact the facility's assigned compliance staff for additional help in the determination. A compliance staff list is available at <https://dnr.wi.gov/topic/AirQuality/Contacts.html>, or if the facility has an air permit, contact the regional air program contact as specified in the air permit (most likely found under the "Total Facility" or "Other Conditions Applicable to the Entire Facility" section(s) of the air permit).
- Contact the Registration Permit Coordinator at 608-273-5605, or email DNRamROPSairpermit@wisconsin.gov for additional help in the facility's determination.

3. Municipal or Infectious Waste Combustors

Question 3:

Is the facility a municipal solid waste combustor or a combustor of infectious waste?

- If the answer is NO, go on to question 4.
- If the answer is YES, the facility is either a municipal solid waste combustor or an infectious waste combustor and will not qualify for coverage under the Registration Permit.

ADDITIONAL INFORMATION: *Municipal solid waste is household waste or solid waste from commercial or industrial sources that does not contain hazardous waste and does not contain any process waste which is the direct or indirect result of the manufacturing of a product or the performance of a service such as dry cleaning or painting. "Municipal solid waste" does not include waste wood, paper mill sludge, sewage sludge, tires or industrial process wastes.*

The facility is a municipal solid waste combustor if it is a solid waste treatment facility that is used to burn municipal solid waste or products derived from municipal solid waste, alone or in conjunction with other materials. For more information, go to the Solid Waste website: <https://dnr.wi.gov/topic/Waste/Solid.html>

Infectious waste is solid waste that contains pathogens with sufficient virulence and in sufficient quantity that exposure of a susceptible human or animal to the solid waste could cause the human or animal to contract an infectious disease. Your facility is a combustor of infectious waste if you burn any such infectious wastes. For more information, go to our website on Managing Healthcare Waste: <https://dnr.wi.gov/topic/HealthWaste>

Municipal solid waste combustors and infectious waste combustors are subject to special rules and do NOT qualify for coverage under the registration permit.

What does this question mean?

Municipal solid waste combustors and infectious waste combustors refer to facilities with incinerators that burn certain types of waste. If the facility does not operate an incinerator, then answer NO to this question. More information is included below.

- A municipal solid waste (MSW) combustion source is a facility that has process(es) as defined under s. NR 440.215(2)(k) or s. NR 500.03(151), Wis. Adm. Code.
 - The definition under s. NR 440.215(2)(k), Wis. Adm. Code, is: " 'Municipal waste combustor' or 'MWC' or 'MWC unit' means any setting or equipment that combusts solid, liquid or gasified MSW including, but not limited to, field erected incinerators with or without heat recovery; modular incinerators; starved air or excess air; boilers or steam generating units; furnaces whether suspension fired, grate fired, mass fired or fluidized bed fired; and pyrolysis or combustion units. MWC does not include pyrolysis or combustion units located at plastics or rubber recycling plants. MCW does not include internal combustion engines, gas turbines or other combustion devices that combust landfill gases collected by landfill gas collection systems. "
 - The definition under s. NR 500.03(151), Wis. Adm. Code, is: " 'Municipal solid waste combustor' means any solid waste treatment facility that is used to burn municipal solid waste or products derived from municipal solid waste, alone or in conjunction with other materials."

- Furthermore, the definition of “municipal solid waste” is found under ss. NR 440.215(2)(jm), and NR 500.03(150), Wis. Adm. Code.
 - The definition under s. NR 440.215(2)(jm), Wis. Adm. Code, is: “ ‘Municipal solid waste’ or ‘municipal type solid waste’ or ‘MSW’ means household, commercial, retail or institutional waste. Household waste includes material discarded by single and multiple residential dwellings, hotels, motels and other similar permanent or temporary housing establishments or facilities. Commercial or retail waste includes material discarded by stores, offices, restaurants, warehouses, nonmanufacturing activities at industrial facilities and other similar establishments or facilities. ...” The definition under s. NR 500.03(150), Wis. Adm. Code, is: “ ‘Municipal solid waste’ means: (a) household waste, or (b) Solid waste from commercial or industrial sources that does not contain hazardous waste and does not contain any process waste which is the direct or indirect result of the manufacturing of a product or the performance of a service such as dry cleaners or paint shops. ‘Municipal solid waste’ does not include waste wood, papermill sludge, sewage sludge, tires or industrial process wastes.”
 - Hazardous waste is defined under s. NR 661, Wis. Adm. Code, which can be reviewed here: https://docs.legis.wisconsin.gov/code/admin_code/nr/600/661.pdf.
- An hospital/medical/infectious waste combustion source is a facility that has process(es) that combust hospital, medical, and/or infectious waste, as defined under s. NR 500.03(110), Wis. Adm. Code and s. 287.07(7), Wis. Stats, and also under EPA’s Federal Rule – 40 CFR Part 62 Subpart HHH (<https://www.gpo.gov/fdsys/pkg/CFR-2015-title40-vol9/pdf/CFR-2015-title40-vol9-part62-subpartHHH.pdf>).
 - The definition of a Hospital/Medical/Infectious waste incinerator is given by 40 CFR Part 62 Subpart HHH § 62.14490, as: “Hospital/medical/infectious waste incinerator or HMIWI or HMIWI unit means any device that combusts any amount of hospital waste and/or medical/infectious waste.”
 - The definition of hospital waste is given by 40 CFR Part 62 Subpart HHH § 62.14490, as: “Hospital waste means discards generated at a hospital, except unused items returned to the manufacturer. The definition of hospital waste does not include human corpses, remains, and anatomical parts that are intended for interment or cremation.”
 - The definition of medical/infectious waste is given by 40 CFR Part 62 Subpart HHH § 62.14490 (please use <https://www.gpo.gov/fdsys/pkg/CFR-2015-title40-vol9/pdf/CFR-2015-title40-vol9-part62-subpartHHH.pdf> for the full definition), under “*Medical/infectious waste*”.
 - The definition of infectious waste is also given under [s. 287.07(7)(c)1.c., Wis. Stats.], as: “ ‘Infectious waste’ means solid waste that contains pathogens with sufficient virulence and in sufficient quantity that exposure of a susceptible human or animal to the solid waste could cause the human or animal to contract an infectious disease.”
 - The definition of medical waste is also given under [s. 287.07(7)(c)1.cg., Wis. Stats.], as: “ ‘Medical waste’ means containers, packages and materials identified under sub. (4) (of 287.07, Wis. Stats.) that contain infectious waste or that are from a treatment area and are mixed with infectious waste.”
 - The definition of a medical waste incinerator is also given under [s. 287.07(7)(c)1.cr., Wis. Stats.], as: “ ‘Medical waste incinerator’ means a solid waste treatment facility that primarily burns infectious waste and other waste that contains or may be mixed with infectious waste.”
 - Furthermore, the definition of pathological waste is given under 40 CFR Part 60 §60.51c and Part 62 §62.14490, as: “ ‘Pathological waste’ means waste material consisting of only human or animal remains, anatomical parts, and/or tissue, the bags/containers used to collect and transport the waste material, and animal bedding (if applicable).

4. New Source Performance Standards (NSPS)

Question 4:

Are any emission units at the facility subject to a New Source Performance Standard (NSPS)?

- If the answer is NO, go on to question 5.
- If the answer is YES, please list the standard you are subject to in the space below:

ADDITIONAL INFORMATION: *New Source Performance Standards (NSPS) are federal regulations that apply to certain types of equipment or industries. If equipment at the facility is subject to a standard under an NSPS, and that standard is not allowed by the Registration Permit, the facility is NOT eligible for coverage under a Registration Permit.*

All NSPS have an applicability date. Equipment constructed or modified after the applicability date is affected. Sources subject to only the recordkeeping and notification requirements of an NSPS are still eligible to apply for coverage under a Registration Permit.

For a list of most common NSPS under Subparts of 40 CFR Part 60 and s. 111 of CAA allowed by the permit, see Table 4 of the Type A Registration Permit Fact Sheet at <https://dnr.wi.gov/files/PDF/pubs/am/AM364.pdf> or proceed to the end of this application for a listing.

Use the comment section below to indicate if you are subject to only record keeping or notification requirements of an NSPS and any other special circumstances.

What are New Source Performance Standards (NSPS)?

The NSPS are federal air pollution standards that apply to certain types of industrial processes or equipment if the equipment was constructed, modified or reconstructed after a date specified in the rule. For example there are New Source Performance Standards covering electric arc furnaces at steel plants, but the standards only apply if the furnaces were installed, modified or reconstructed after August 17, 1983. An NSPS typically sets emission standards for criteria pollutants and, less often, for other types of pollutants.

What does it mean to have a new, modified or reconstructed source?

See the following definitions:

1. New Sources: a facility, process line or portable source that was constructed after the date specified in the particular standard that applies to the “affected facility”.
2. Modification: a physical change or change in the method of operation that produces either more air emissions of the same type or “new” air emissions.
3. Reconstruction: to remove old -- and substitute new -- components that exceed 50% of the capital cost of building a new source.

Since February 1, 1984, NSPS have applied to the owner or operator of any stationary source [i.e., facility] that contains an “affected facility”. An “affected facility” is the term used by EPA to define any apparatus, process line or piece of equipment specifically regulated by an applicable NSPS standard in ch. NR 440, Wis. Adm. Code.

Which NSPS are facilities allowed to have with the Registration Permit?

Table 1 below lists all the NSPS with the allowed NSPS in **bold** type. If the facility is subject to one of the NSPS in bold type, the facility may still apply for coverage under the Registration Permit. Also, if the facility is subject to

only a recordkeeping or a notification requirement of an NSPS, the facility may still apply for coverage under the Registration Permit.

How does a facility determine which NSPS apply and whether that facility is still eligible for a Registration Permit?

- General procedure for search and evaluation to determine which NSPS apply:
 - Identify any equipment (processes) at the facility that are new, modified, or reconstructed (see the definitions above).
 - Examine the names of NSPS Titles listed in Table 1 and note any that might possibly apply to those processes.
 - Read the applicability paragraphs and definitions of terms for those NSPS standards that were noted. Pay particular attention to the date that each section identifies as the time after which changes to the equipment or process must meet the rule. If the changes occurred prior to that date, then the equipment is NOT considered new, modified or reconstructed under the NSPS. Visit the Wisconsin Administrative Code webpage at: https://docs.legis.wisconsin.gov/code/admin_code/nr/400/440.pdf.
- Decide which standards apply to the facility's processes. Call the department for help on this determination if necessary. A compliance staff list is available at <https://dnr.wi.gov/topic/AirQuality/Contacts.html>, or if the facility has an air permit, contact the regional air program as specified in the permit (most likely found under the "Total Facility" or "Other Conditions Applicable to the Entire Facility" section(s) of the air permit). Or, contact the Registration Permit Coordinator at 608-273-5605, or email DNRRamROPSairpermit@wisconsin.gov for additional help in the facility's determination.
 - Examine the Federal NSPS standards that have not been incorporated into the Wis. Adm. Code including:
 - Municipal solid waste landfills (40 CFR Part 60 subparts CC and WWW).

Table 1 *NSPS categories in bold type are allowed by the Registration Permit	
Titles of NSPS Standards As Incorporated into the Wisconsin Administrative Code	Section
Fossil–fuel–fired steam generators for which construction is commenced after August 17, 1971.	NR 440.19
Electric steam generating units for which construction is commenced after September 18, 1978.	NR 440.20
Industrial – commercial – institutional steam generating units.	NR 440.205
Small industrial–commercial–institutional steam generating units.	NR 440.207
Incinerators.	NR 440.21
Municipal waste combustors for which construction is commenced after December 20, 1989 and on or before September 20, 1994.	NR 440.215
Large municipal waste combustors for which construction is commenced after September 20, 1994 or for which modification or reconstruction is commenced after June 19, 1996.	NR 440.216
Hospital/medical/infectious waste incinerators for which construction is commenced after June 20, 1996.	NR 440.218
Portland cement plants.	NR 440.22
Nitric acid plants.	NR 440.23
Sulfuric acid plants.	NR 440.24
Asphalt concrete plants. (Hot Mix Asphalt Facilities)	NR 440.25
Petroleum refineries.	NR 440.26
Storage vessels for petroleum liquids for which construction, reconstruction or modification commenced after June 11, 1973, and prior to May 19, 1978.	NR 440.27
Storage vessels for petroleum liquids for which construction, reconstruction or modification commenced after May 18, 1978, and prior to July 23, 1984.	NR 440.28
Volatile organic liquid storage vessels (including petroleum liquid storage vessels) for which construction, reconstruction or modification commenced after July 23, 1984.	NR 440.285
Secondary lead smelters.	NR 440.29
Secondary brass and bronze production plants.	NR 440.30

Table 1 *NSPS categories in bold type are allowed by the Registration Permit	
Titles of NSPS Standards As Incorporated into the Wisconsin Administrative Code	Section
Primary emissions from basic oxygen process furnaces for which construction is commenced after June 11, 1973.	NR 440.31
Basic oxygen process steelmaking facilities for which construction is commenced after January 20, 1983.	NR 440.315
Sewage treatment plants.	NR 440.32
Primary copper smelters.	NR 440.33
Primary zinc smelters.	NR 440.34
Primary lead smelters.	NR 440.35
Primary aluminum reduction plants.	NR 440.36
Phosphate fertilizer industry: wet-process phosphoric acid plants.	NR 440.37
Phosphate fertilizer industry: superphosphoric acid plants.	NR 440.38
Phosphate fertilizer industry: diammonium phosphate plants.	NR 440.39
Phosphate fertilizer industry: triple superphosphate plants.	NR 440.40
Phosphate fertilizer industry: granular triple superphosphate storage facilities.	NR 440.41
Coal preparation plants.	NR 440.42
Ferroalloy production facilities.	NR 440.43
Steel plants: electric arc furnaces constructed after October 21, 1974, and on or before August 17, 1983.	NR 440.44
Steel plants: electric arc furnaces and argon-oxygen decarburization vessels constructed after August 17, 1983.	NR 440.445
Kraft pulp mills.	NR 440.45
Glass manufacturing plants.	NR 440.46
Grain elevators.	NR 440.47
Surface coating of metal furniture.	NR 440.48
Stationary gas turbines.	NR 440.50
Lime manufacturing plants.	NR 440.51
Lead-acid battery manufacturing plants.	NR 440.52
Metallic mineral processing plants.	NR 440.525
Automobile and light-duty truck surface coating operations.	NR 440.53
Phosphate rock plants.	NR 440.54
Ammonium sulfate manufacture.	NR 440.55
Graphic arts industry: publication rotogravure printing.	NR 440.56
Pressure sensitive tape and label surface coating operations.	NR 440.565
Industrial surface coating: large appliances.	NR 440.57
Metal coil surface coating.	NR 440.58
Asphalt processing and asphalt roofing manufacture.	NR 440.59
Equipment leaks of VOC in the synthetic organic chemicals manufacturing industry.	NR 440.62
Beverage can surface coating industry.	NR 440.63
Bulk gasoline terminals.	NR 440.64
New residential wood heaters.	NR 440.642
Rubber tire manufacturing industry.	NR 440.644
Volatile organic compound (VOC) emissions from the polymer manufacturing industry.	NR 440.647
Flexible vinyl and urethane coating and printing.	NR 440.65
Equipment leaks of VOC in petroleum refineries.	NR 440.66
Synthetic fiber production facilities.	NR 440.67
Volatile organic compound (VOC) emissions from the synthetic organic chemical manufacturing industry (SOCMI) air oxidation unit processes.	NR 440.675
Petroleum dry cleaners.	NR 440.68
Equipment leaks of VOC from onshore natural gas processing plants.	NR 440.682
Onshore natural gas processing: SO ₂ emissions.	NR 440.684
Volatile organic compound (VOC) emissions from synthetic organic chemical manufacturing industry (SOCMI) distillation operations.	NR 440.686
Nonmetallic mineral processing plants.	NR 440.688
Wool fiberglass insulation manufacturing plants.	NR 440.69

Table 1 *NSPS categories in bold type are allowed by the Registration Permit	
Titles of NSPS Standards As Incorporated into the Wisconsin Administrative Code	Section
VOC emissions from petroleum refinery wastewater systems.	NR 440.70
Volatile organic compound emissions from synthetic organic chemical manufacturing industry (SOCMI) reactor processes.	NR 440.705
Magnetic tape coating facilities.	NR 440.71
Industrial surface coating: surface coating of plastic parts for business machines.	NR 440.72
Calciners and dryers in mineral industries.	NR 440.73
Polymeric coating of supporting substrates facilities.	NR 440.74

Engine NSPS

In addition to the NSPS listed above, there are two other NSPS that were promulgated more recently and not included in Wisconsin State Code. These regulations cover Reciprocating Internal Combustion Engines (RICE) and are contained in the code of Federal Regulations under 40 CFR Part 60 Subpart IIII for stationary compression ignition internal combustion engines (diesel) and under 40 CFR Part 60 Subpart JJJJ for stationary spark ignition internal combustion engines. These two new standards are allowed under the Registration Permit as well.

How do I answer the question about whether the facility is subject to an NSPS?

- After determining which NSPS apply to the facility, if any, then determine whether the standard falls into at least one of the following categories:
 - The facility or process is only subject to the recordkeeping or notification requirements of that standard and not to any limitation or other compliance demonstration requirement.
 - The facility or process is subject to an allowed standard marked in **BOLD** in the list above or is a diesel or gas fired engine subject to subparts IIII or JJJJ of 40 CFR Part 60.
- If each NSPS standard is either identified as an exception (in **bold** above) or consists only of recordkeeping and notification requirements, then the facility meets the NSPS eligibility criteria for the Registration Permit and may answer "**YES**" to this question on the application.
- Contact the Registration Permit Coordinator at 608-273-5605, or email DNRamROPSairpermit@wisconsin.gov for additional help in the facility's determination.

5. National Emissions Standards for Hazardous Air Pollutants (NESHAP)

Question 5:

Are any emission units at the facility subject to a National Emissions Standard for Hazardous Air Pollutants (NESHAP)?

- If the answer is NO, then go on to question 6.
- If the answer is YES, please list the standard(s) the facility is subject to in the space below:

ADDITIONAL INFORMATION: *National Emission Standards for Hazardous Air Pollutants (NESHAPs) are federal regulations that apply to certain types of equipment or industries that emit hazardous air pollutants. If equipment at the facility is subject to a standard under a NESHAP and that standard is not allowed by the Registration Permit, the facility is NOT eligible for coverage.*

Sources subject to only the recordkeeping and notification requirements of a NESHAP are still eligible to apply. Any NESHAP for an area source under Section 112(d)(5) or (r) of the Clean Air Act that does not require the source to obtain a Part 70 permit is an allowed standard in the registration permit.

For a list of most common NESHAPS under Subparts of 40 CFR Part 63 and s. 112 of CAA allowed by the permit, see Table 4 of the Type A Registration Permit Fact Sheet at <https://dnr.wi.gov/files/PDF/pubs/am/AM364.pdf> or proceed to the end of this application for a listing.

What does this question mean?

A NESHAP is a federal regulation, sometimes incorporated into state rules, to control emissions of 187 federally regulated hazardous air pollutants. It is often referred to as a MACT standard (Maximum Achievable Control Technology) but in reality, NESHAPs can require MACT level control or, for smaller sources, less stringent GACT level controls (Generally Available Control Technology.)

If the facility is subject to a NESHAP that requires MACT level controls, other than just the recordkeeping or notification requirements of the standard, the facility is not eligible for a Registration Permit. A recordkeeping requirement is a requirement to keep a record such as an amount of a substance used, or the blueprints of a piece of equipment. A notification requirement is a requirement to submit or otherwise notify EPA or the department of the status with the requirement under the NESHAP such as the requirement to submit a written statement of the date a piece of equipment was installed.

All facilities in a NESHAP category that had potential emissions of hazardous air pollutants over the major source thresholds of 10 tons per year for any single NESHAP-regulated pollutant or 25 tons per year of total NESHAP-regulated pollutants at the time of the NESHAP compliance deadline are subject to a MACT standard and remain subject even if emissions later decreased. This is called once-in-always-in.

In contrast to MACT, most (but not all) small sources of hazardous air pollution, referred to as Area Sources, are covered by NESHAPs that are regulated to a level referred to as GACT. GACT standards cover many area sources. All NESHAPs that required only GACT level controls are allowed standards under the Registration Permit.

How can a facility determine if it is subject to a NESHAP?

For a complete list of NESHAP affected source categories and specific descriptions of each category, visit the US Environmental Protection Agency (EPA) website <https://www.epa.gov/stationary-sources-air-pollution/national-emission-standards-hazardous-air-pollutants-neshap-9>.

If the facility has an existing permit with a MACT standard in it, that facility is subject to a MACT. Look at the facility's requirements. If they consist only of recordkeeping and/or notification requirements, the facility is still eligible to apply. If the permit contains an emission limit or control requirement, or work practices, the facility is not eligible for coverage under the Registration Permit. In limited circumstances, if the operations that were subject to the MACT are removed from the facility or the facility no longer engages in the activities covered by the MACT, then it may be possible to determine that the standard no longer applies and the facility may qualify for the Registration Permit.

Facilities subject to an area source NESHAP regulated to a GACT level are allowed coverage under the Registration Permit. For a list of area source NESHAPs and other information go to <https://www.epa.gov/stationary-sources-air-pollution/national-emission-standards-hazardous-air-pollutants-neshap-9>.

How can a facility find more help determining if it is subject to a NESHAP not allowed by the Registration Permit?

- The Small Business Environmental Assistance Program (SBEAP) employs environmental assistance coordinators who can assist small businesses with understanding their environmental requirements. SBEAP's web site is located at <https://dnr.wi.gov/topic/smallbusiness/>. The site contains additional information on the program as well as contact information.
- Contact the Registration Permit Coordinator at 608-273-5605, or email DNRamROPSairpermit@wisconsin.gov for additional help in the facility's determination.

6. Control Efficiencies

Question 6:

a. Does the facility have any air pollution control devices?

- If the answer is NO, then go on to question 7.
- If the answer is YES, then fill out the table below for each device.

b. Does the control device meet the minimum control efficiency required by the Registration Permit listed below?

Control Device	Minimum Control Efficiency (Total Enclosure Capture)			Minimum Control Efficiency (Hood Capture)			Your Control Device Efficiencies	
	PM	PM ₁₀ and PHAP	VOC and VHAP	PM	PM ₁₀ and PHAP	VOC and VHAP	Hood	Total Enclosure
Low efficiency cyclone	40%	20%		32%	16%			
Medium efficiency cyclone	60%	40%		48%	32%			
High efficiency cyclone	80%	64%		60%	48%			
Multiple cyclone w/out fly ash reinjection	80%	60%		64%	48%			
Multiple cyclone with fly ash reinjection	50%	38%		40%	30%			
Wet cyclone separator	50%	40%		38%	30%			
HEPA and other wall filters (including paint overspray filters)	95%	95%		76%	76%			
Fabric filters (e.g., baghouse, cartridge collectors)	98%	92%		78%	73%			
Spray towers	80%	80%	70%	64%	64%	56%		
Venturi scrubber	90%	85%		72%	68%			
Condensation scrubber (packed bed)	90%	90%		72%	72%			
Impingement plate scrubber	75%	75%		60%	60%			
Electrostatic precipitators	95%	95%		76%	76%			
Thermal oxidizers			95%			76%		
Catalytic oxidizers			95%			76%		
Condenser			70%			56%		
Flaring or direct combustor			98%			78%		
Biofiltration			80%			64%		
Adsorber (activated Carbon Systems carbon adsorption, solvent recovery)			85%			68%		

ADDITIONAL INFORMATION: The registration permit requires control devices to be able to meet specified minimum levels of control. If 100% of emissions produced are delivered to the control device then list the control efficiency in the total enclosure column. If emissions are only partially captured under a hood before being delivered to the control device use the hood column.

For more information on calculating control efficiencies see the Type A Registration Permit Application Guide under the Registration Permit tab available at DNR's Air Permit options website:

<https://dnr.wi.gov/topic/AirPermits/Options.html> or visit DNR's Small Business Environmental Assistance Program website: <https://dnr.wi.gov/topic/smallbusiness/>.

Indicate the number of each control device at the facility that will be used to meet the registration permit emission limit or an applicable requirement. Use the comment section below to indicate any special circumstances like if there are multiple control devices of the same variety or if there are varying control efficiencies.

What does this question mean?

The Registration Permit contains the control devices and the minimum control efficiency levels that control devices at a facility must meet or exceed. These control devices and their required minimum control efficiencies are listed in Table 2 below.

In order to qualify and remain eligible for the Registration Permit, the facility must first identify all control devices at the facility. Next, identify which devices are required by an applicable emission limitation (a regulation) or are needed to keep facility emissions below the emissions limits in Question 7 on page 27.

Finally, the facility must determine the actual control efficiency for each control device and compare this efficiency to the appropriate minimum control efficiency level that is listed in the table above in Question 6.

What does control efficiency mean?

Control efficiency is a measure of air pollution reduction. It is a percentage value representing the amount of air pollution emission reduction caused by a control device.

How is control efficiency calculated?

A control device's efficiency is defined using the following equation:

$$CE = \frac{[(E_{in}) - (E_{out})]}{(E_{in})} \times 100\%$$

where:

CE = Control device efficiency

E_{in} = Pollutant emission rate entering the control device

E_{out} = Pollutant emission rate exiting the control device

For example, if a pollution control device's efficiency is stated as 90% removal or destruction efficiency, it means that for every 10 pounds of an air pollutant entering the device, only 1 pound of the pollutant is emitted to the atmosphere.

How is control efficiency determined?

A facility can determine the control efficiency by several means. The preferred, and most accurate, method is through actual performance testing of the control device at the facility, where the amount of pollution entering the control device is measured and the amount of pollution being emitted is measured. If performance testing at the facility has never been done, an alternative method of estimating the control efficiency is manufacturer's testing results or guarantees. This information should have been supplied in the documentation that came with the control device, if not, contact the manufacturer of the control device. Documentation is required to meet the compliance demonstration requirements of the Registration Permits.

If multiple control devices are used for the same process, how is overall control efficiency determined?

If more than one control device applies to the same pollutant from a process, there are different ways, depending on the configuration of the control devices, to determine the overall control efficiency.

- If the control devices are in parallel (as shown in figure 1, below), simply compare the individual control efficiencies of each device with the required control efficiency in the Registration Permit.
- If the control devices are in series (as shown in figure 2, below), use the following equation to determine the overall efficiency, and compare this efficiency with the required control efficiency in the Registration Permit:

$$\text{Overall Control Efficiency} = \left[1 - \left(\frac{100 - CE1}{100}\right) \times \left(\frac{100 - CE2}{100}\right) \times \left(\frac{100 - CE3}{100}\right) \dots\right] \times 100\%$$

where:

CE1 = Control efficiency of first control device

CE2 = Control efficiency of second control device (if applicable)

CE3 = Control efficiency of third control device (if applicable)

... = Add more control devices into the equation if applicable

Figure 6.1 Control Devices in Parallel

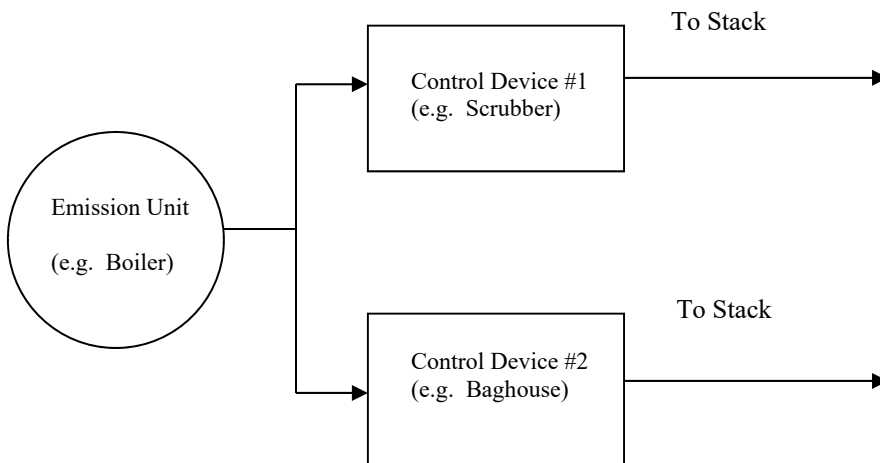
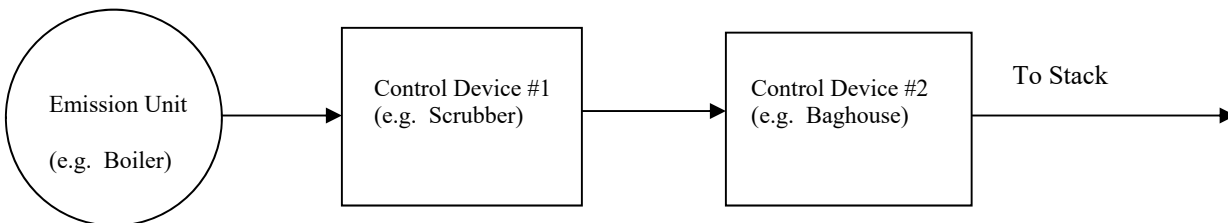


Figure 6.2 Control Devices in Series



What if help is still needed in determining how to answer this question?

- Contact the Registration Permit Coordinator at 608-273-5605, or email DNRamROPSairpermit@wisconsin.gov for additional help in the facility's determination.

7. Emission Limit

Question 7:

List the facility's expected facility-wide actual annual calendar year emissions for each of the following pollutants in tons per year.

PM ₁₀ (particulate matter less than 10 microns)	_____	ton/yr
Sulfur dioxide (SO ₂)	_____	ton/yr
Nitrogen oxides (NO _x)	_____	ton/yr
Carbon monoxide (CO)	_____	ton/yr
Volatile Organic Compounds (VOC)	_____	ton/yr
Lead	_____	ton/yr

ADDITIONAL INFORMATION: *The Type A registration permit limits emissions of each of these pollutants to less than 25% of the major source threshold. Enter the facility's expected actual annual emissions in the ton/yr column. In order to qualify for registration permit coverage, the actual calendar year emissions may not exceed 25% of the major source threshold which is equal to 25 tons per year of each of the listed pollutants except lead. Lead emissions may not exceed 0.5 tons per year. Be sure to send copies of all calculations with the application.*

If the facility uses a control device to meet an emission limit, the minimum control efficiencies (listed in Question 6 of this application or in Table 3 of the Type A Registration Permits Factsheet at <https://dnr.wi.gov/files/PDF/pubs/am/AM364.pdf>).

For additional information on calculating the facility-wide annual actual emissions, see the Type A Registration Permit Application Guide under the Registration Permit Tab available at on DNR's Air Permits website: <https://dnr.wi.gov/topic/AirPermits/Options.html> or visit DNR's Small Business Environmental Assistance Program website: <https://dnr.wi.gov/topic/smallbusiness/>.

What does this question mean?

A Registration Permit effectively limits a facility's actual air pollution emissions. Once the facility is covered under the Registration Permit, the facility must limit the annual (calendar year) emissions from to below the limits so that the facility can remain eligible for coverage under the Registration Permit. Table 3 below shows the pollutants covered by the Registration Permit emission limits and the highest emissions allowed under each pollutant's limit, according to current major source threshold levels in Wisconsin.

Pollutant	Emission Limits²
Particulate Matter or PM ₁₀	25 ton/year for attainment areas
Volatile Organic Compounds	25 ton/year for attainment, and marginal or moderate ozone nonattainment areas
Nitrogen Oxides	25 ton/year
Sulfur Dioxide	25 ton/year
Carbon Monoxide	25 ton/year
Lead	0.5 tons/year
Section 112(b) Hazardous Air Pollutants (Federal HAP) ³	2.5 ton/year for any <i>single</i> Federal hazardous air pollutant 6.25 ton/year for a <i>combination</i> of all Federal hazardous air pollutants

What are these pollutants, and where might they be generated at a facility?

- **Particulate matter, or PM**, is the term for particles found in the air, including dust, dirt, soot, smoke, and liquid droplets. Some common sources of particulate matter include operations such as crushing rocks, grinding, sanding or handling of materials, spray painting, and combustion sources. PM₁₀ is the portion of particulate matter emitted which has a diameter less than or equal to 10 micrometers. PM₁₀ is known to cause more health problems than larger sized particulate matter.
- **Volatile organic compounds, or VOC**, are organic compounds which, in the presence of nitrogen oxides and sunlight, form ground level ozone. Volatile organic compounds are emitted from many processes, often from those that use paints, inks, lacquers, adhesives, other coatings, and cleanup or other types of solvents.
- **Nitrogen oxides, or NOx**, are the generic terms for a group of highly reactive gases, all of which contain nitrogen and oxygen in varying amounts. Many of the nitrogen oxides are colorless and odorless. Nitrogen oxides form when fuel is burned at high temperatures, as in a combustion process (e.g., boilers, space heaters, diesel generators).
- **Sulfur Dioxide, or SO₂**, belongs to the family of sulfur oxide gases (SOx). Sulfur is prevalent in most raw materials, including crude oil, coal, and ore that contains common metals like aluminum, copper, zinc, lead, and iron. SOx gases are formed when fuel containing sulfur, such as coal, diesel and fuel oil, is burned, and when gasoline is extracted from oil or metals are extracted from ore.
- **Carbon Monoxide, or CO**, is a colorless, odorless gas that is formed when carbon in fuel is not burned completely. In combustion processes, the carbon in the fuel is never completely combusted, and a portion becomes CO. Other sources of CO emissions include industrial processes (such as metals processing and chemical manufacturing).
- **Lead** is a metal found naturally in the environment as well as in manufactured products. The major sources of lead emissions have historically been motor vehicles (such as cars and trucks) and industrial sources. Due to the phase out of leaded gasoline, metals processing is the major source of lead emissions to the air today. The highest levels of lead in air are generally found near lead smelters. Other stationary sources are utilities and lead-acid battery manufacturers.
- **Section 112(b) Hazardous Air Pollutants, or Federal HAPs**, are a group of 187 pollutants that the Environmental Protection Agency (EPA) has designated as being known or suspected to cause cancer or other serious health effects, such as reproductive effects or birth defects, or adverse environmental effects. Examples include benzene, found in gasoline; perchloroethylene, emitted from some dry cleaning facilities; and methylene chloride, used as a solvent and paint stripper by a number of industries.

² Depending on whether an area of the state meets the air quality standards set by the Environmental Protection Agency, it will be designated as attainment (meets the standards) or non-attainment (does not meet the standards) for a specific pollutant. Most areas in Wisconsin are considered attainment areas.

³ A list of these air pollutants is available at <https://www.epa.gov/haps/initial-list-hazardous-air-pollutants-modifications>.

When do emissions need to be calculated?

The department recommends that before a facility applies for a Registration Permit, the emissions for the previous calendar year and an estimate of emissions for the coming calendar year are calculated. Compare these emissions with the ROP A emission limits in the table above. Based on the calculations, if the facility will not be able to stay under the Registration Permit emission limits, this type of permit is not the right permit for the facility. The Registration Type B permit is very similar to that of the Type A, but it allows emissions up to 50% of the major source threshold. This may be more appropriate for a source with emissions close to the Type A limits. See the Type B fact sheet at the following link for more information on the ROP B: <https://dnr.wi.gov/files/PDF/pubs/am/AM531.pdf>.

When does a facility need to begin meeting the emission limits in the Registration Permit?

Facilities must meet the emission limits beginning in the year that coverage under the Registration Permit begins. For example, if the facility was granted coverage under the Registration Permit in December 2017, the emissions for December and the preceding 11 months in 2017 must be below the emission limits, even though the facility was only covered by the Registration Permit for one month of the year. Therefore, if you do not believe that you can meet the emission limits this year, wait to apply for the Registration Permit until the next year (e.g. January 2018 or later) when you believe the emissions will be below the limits.

Can a facility consider control devices when calculating annual actual emissions?

Yes, as long as the control device is listed in the Registration Permit (see Table 2 under the Control Efficiency section of this guide). If an emission unit at the facility is covered by an applicable requirement that specifically requires a type of control device not listed, the facility may also use that control device to calculate emissions but only for the emission unit covered by the applicable requirement.

What are the control efficiencies that a facility must use to calculate emissions?

Any control devices that a facility must use to meet the emission limit of the Registration Permit must meet the minimum control efficiency listed in Table 2 of the previous section. The exception is if an applicable requirement specifically requires higher control efficiency. Then, the facility may use that control efficiency in the emission calculations but only for the emission unit subject to the higher control efficiency.

What happens to the emission limits if the attainment area status of the county where the facility operate changes?

If the attainment status for any pollutant for the area in which the facility is located changes, the emission limit for that pollutant may change. For example, the major source threshold for a moderate nonattainment area for ozone is 100 tons per year of volatile organic compounds (VOC). The threshold for a severe non-attainment area for ozone is 25 tons per year of VOC. So, if the area in which a facility is located is re-designated from moderate ozone nonattainment to severe ozone nonattainment, the VOC emission limit for the facility would drop from 25 tons per year to 6.25 tons per year. Note that the department would likely have plenty of time to inform affected sources of impending changes in attainment status for the location of any affected facilities and would help step facilities through such a change.

How does a facility calculate actual annual emissions?

If a facility submits an annual Air Emissions Inventory Report to the department, this report can be used to help estimate whether or not the emissions have been and will be below the Registration Permit emission limits. One caution is that the control device efficiencies used in the Air Emissions Inventory Report might be higher than is allowed under the Registration Permit. For example, there is a large difference between the 92% control allowed for PM₁₀ from baghouses in the Registration Permit and the 99.9% control efficiency given to many baghouses in the air emissions inventory calculations. If the facility has control devices, recalculate the emissions in the inventory, substituting the Registration Permit control efficiencies for the actual control efficiencies used in the inventory.

If the facility has never submitted an Air Emissions Inventory Report to the department before, or if the facility has control devices and wants to more accurately estimate emissions for Registration Permit purposes, follow the steps below.

- Calculate actual emissions for each pollutant from each emission unit⁴ at the facility, except those units listed in Appendix A.
- Similar emission units may be grouped together for emission calculation purposes if they are uncontrolled or use the same type of control device.
- If emissions are controlled by a control device, the facility must use the control efficiency from the table that corresponds to that type of control device used to control emissions of that pollutant. Actual annual emissions of all uncontrolled pollutants can be used. Or, if the facility's actual emissions are not known, use the emission limit of an applicable requirement as an estimate of the emissions.
- Actual hours operated during a calendar year, actual production rates for a year or other calendar year data can be used for these calculations. Make sure the facility does not anticipate exceeding these calendar year numbers in the future, however. For example, if the facility currently operates one shift per day but would like to increase to two shifts, double the actual production numbers to ensure the facility will qualify for this permit in years to come.
- Choose one of the calculation methods in a. through d., below, for each emission unit (or group of emission units) at the facility. If emissions factors or other emissions data was developed specifically for the facility operations using the facility's own stack testing information or material analysis, use these emission factors or other data rather than emission factors or other data published by USEPA, safety data sheet (SDS), or trade associations.
- Fugitive dust emissions⁵ must be included in the emission calculations only if the facility is in a category listed in ss. NR 407.02(4)(b)1., to 27., Wis. Adm. Code. These categories are shown in Appendix B of this document. Most facilities that are eligible for this Registration Permit will not fall into one of these categories, but each facility should check that if it is true for their operations.
- If an emission unit exhausts particulate matter inside a building, the particulate matter, PM₁₀ and other pollutants emitted as particles from that unit, do not need to be included in the emission calculations. It can be assumed that these emissions settle out inside the building.
- Once the emissions from each emissions unit and each group of similar emissions units at the facility have been calculated, add up the emissions of each pollutant from all emissions units at the facility and make sure that the estimated future annual emissions of each pollutant will not exceed its limit.
- Once the facility is covered under the Registration Permit, that facility will be required to report the actual annual emissions to the Wisconsin Air Emissions Inventory (AEI) and submit an annual certification of compliance with these emission limits.

What are the calculation methods?

- a. Emission calculation based on the source's actual operating parameters, as shown in the following equation:

$$E = OP \times U_{EF} \times [1-CE]$$

where:

E = Actual emissions in tons per year

OP = Operating Parameter as required by the emission factor (e.g., actual hours of operation or number of units produced or gallons of fuel used)

U_{EF} = Emission Factor (e.g., pounds of pollutant per hour of operation or number of units produced, or gallons of fuel used)

⁴ An emissions unit is "any part [process equipment, etc.] of a facility which emits or is capable of emitting any air pollutant."

⁵ "Fugitive dust emissions" means, for the purposes of calculating emissions for the ROP emission limit, particulate matter emissions that do not exit from a flue or stack. Outdoor storage piles or dust from roadways on the facility's property are common sources of fugitive dust.

NOTE: An "emission factor" is a representative value that relates the amount of a pollutant released to the atmosphere with an activity associated with the release of that pollutant. These factors are usually expressed as the weight of pollutant divided by a unit weight, volume, distance, or duration of the activity emitting the pollutant (e.g., pounds of particulate emitted per ton of coal burned). The best emission factors to use are ones developed at the facility using approved test methods and the facility's own material throughput. If emission testing has not been done at the facility, the facility can find emission factors for many types of emission sources using the USEPA document AP-42 available at the following site: <https://www.epa.gov/air-emissions-factors-and-quantification/ap-42-compilation-air-emission-factors#5thed>. Trade associations and equipment manufacturers also publish emission factors suitable for estimating emissions.

CE = Control Device Efficiency (percent expressed as a decimal fraction) as listed in the Registration Permit. No other control device efficiency may be used for CE unless higher control efficiency is specifically required by an applicable requirement that the emission unit is subject to. If no control device is installed for an emission unit or if the control device is not designed to control a given pollutant, then CE = 0.

- b. Another way to calculate the actual annual emissions is to use the applicable emission limitation for the emission unit and multiply by the hours it is expected to operate in any given year. This method may over-estimate the emissions, but will not require the development of emission factors or use control efficiencies that are much lower than the actual control efficiency.

For example, using the published uncontrolled emission factor for asphalt concrete plants and the allowed control efficiency for baghouses would result in emissions of PM₁₀ from asphalt concrete plants of over 100 lb/hr. Most asphalt plants will choose to use emission factors developed from actual emission testing at their facilities. However, another method might be to use the applicable emission limitation. For Asphalt Concrete Plants last modified after June 11, 1973, the applicable emission limitation is 0.039 gr/dscf. This emission limitation can be converted into a pound per hour number using the facility specific information on air flow and moisture content. For a typical plant, this emission rate might be around 7.6 lb/hr. If the plant always operates less than 3000 hours per year, a good estimate of the emissions from the plant would be:

$$7.6 \text{ lb/hr} \times 3000 \text{ hr/yr} \times 1 \text{ ton}/2000 \text{ lb} = 11.4 \text{ tons per year}$$

- c. A material balance may be used to calculate actual VOC emissions:

$$E = [(ax - y - cz) \times (1 - d)]/2000 \text{ lb/ton, where}$$

E = the emissions of VOC in tons per year

a = the amount of material entering the process in a calendar year. This is typically gallons of paint or pounds of adhesive.

x = the amount of VOC contained in the material. This is sometimes given as a percent by weight or may be given in lb/gallon. Be sure documentation of the VOC content in each material is available, using a signed statement from the supplier, results from an approved test method, or the SDS.

y = the amount of VOC incorporated permanently into the product. This includes VOCs chemically transformed in production. It does not include latent VOC remaining in the product that will at some time be released to the atmosphere.

c = the amount of material, if any, leaving the process as waste in a calendar year. This might be unused paint left in the bottom of the paint pot, or spent cleaning solvent to be shipped off as hazardous waste.

z = the amount of VOC contained in the material, if any, leaving the process as waste, or otherwise not incorporated into the product and not emitted to the air.

d = the control device efficiency (percent expressed as a decimal fraction of 1.0), as listed in the Registration Permit (see discussion above for Question #5). If there is no control device, d=0.

- d. Sulfur dioxide emissions may be determined by measuring the sulfur content of the fuel used and assuming that all of the sulfur in the fuel is oxidized to sulfur dioxide. The sulfur content of each batch of fuel received must be measured by an independent laboratory using ASTM methods or verified by vendor certification. The sulfur dioxide actual emissions must be determined for each batch of fuel received by using the following equation:

$$SO_2 = \%S/100 \times F/2,000 \times 2$$

where,

SO_2 = Tons of sulfur dioxide emissions from a given batch of fuel

$\%S$ = Weight percent sulfur in the fuel being burned

F = Amount of fuel in a given batch, in pounds

2,000 = Pounds per ton

2 = $2/1 = 64/32$ = Pounds of sulfur dioxide per pound of sulfur in one pound-mole

The total sulfur dioxide emissions for the year equals the sum of the sulfur dioxide emissions from all individual fuel batches burned during the calendar year.

What if the facility still needs more help calculating my emissions?

- The Small Business Environmental Assistance Program (SBEAP) employs environmental assistance coordinators who can assist small businesses in calculating their emissions. SBEAP's web site is located at <https://dnr.wi.gov/topic/smallbusiness/>. The site contains additional information on the program as well as contact information.
- The department, in cooperation with the Small Business Environmental Assistance Program, developed an Air Pollution Emission Calculation Spreadsheet to help facilities calculate their emissions. This spreadsheet is available at <https://dnr.wi.gov/topic/SmallBusiness/documents/air/EmissionsWorksheet.xls>.
- Unsure what emission factor to use for an emission unit at a facility? USEPA maintains a document titled **AP-42, Compilation of Air Pollution Emission Factors** which contains representative emission factors for a variety of industrial categories and processes. This document is available on-line at <https://www.epa.gov/air-emissions-factors-and-quantification/ap-42-compilation-air-emission-factors#5thed>.
- Contact the Registration Permit Coordinator at 608-273-5605, or email DNRamROPSairpermit@wisconsin.gov for additional help in the facility's determination.

Example Calculation

Shown below is an example emission calculation for a combustion process. Note that no control device is present, so $CE = d = 0$:

– **Combustion source**

Emissions Unit: 90 million BTU per hour boiler (90 MMBTU/hr)

Fuel: Natural gas

Heat content: 1,000 MMBTU/million cubic feet of natural gas (1,000 MMBTU/cf6)

Back up Fuel: #2 Fuel oil

Heat content: 140 MMBTU/1,000 gallons of #2 fuel oil (140 MMBTU/Mgal)

Particulate matter (PM) is calculated as follows:

Natural gas:

The emission factor is from AP-42, Chapter 1, Section 1.4, for boilers. Total particulate matter is the sum of the filterable and condensable particulate matter.

$$\text{PM: } (5.7 + 1.9) \text{ lb/cf6} \times 90 \text{ MMBTU/hr} \times \text{cf6/1,000 MMBTU} = 0.684 \text{ lb/hr}$$

$$\text{PM: } 0.684 \text{ lb/hr} \times 8,760 \text{ hr/yr} \times \text{ton/2,000 lb} = 3.00 \text{ ton per year (3.00 TPY)}$$

#2 Fuel oil:

The emission factor is from AP-42, Chapter 1, Section 1.3, for Industrial boilers of <100 MMBTU/hr, distillate oil fired. No emission factor is included for condensable particulate matter; the listed emission factor will be assumed to be a reasonable estimate for total particulate matter emissions.

$$\text{PM: } 2 \text{ lb/1,000 gal} \times 90 \text{ MMBTU/hr} \times 1,000 \text{ gal/140 MMBTU} = 1.29 \text{ lb/hr}$$

$$\text{PM: } 1.29 \text{ lb/hr} \times 8,760 \text{ hr/yr} \times \text{ton/2,000 lb} = 5.63 \text{ TPY}$$

During a given calendar year, a facility might use both fuels in the same unit at different times, so the total actual PM emissions for the year would be determined by taking into account the amount of each fuel actually burned in the unit during the year.

8. Hazardous Air Pollutants

Question 8:

Does the facility emit any federally regulated hazardous air pollutants?

- If the answer is NO, go on to question 9.
- If the answer is YES, please list the pollutant and its annual emissions in the table below:

Federally Regulated Hazardous Air Pollutant	Annual emissions (lb/yr)

ADDITIONAL INFORMATION: *The registration permit limits emissions of each federally regulated Hazardous Air Pollutant (HAP) to 5,000 pounds per year and limits the total of all HAPs combined to 12,500 pounds per year. If a facility uses a control device to meet an emission limit, it must use the control efficiencies listed in Table 3 of the Type A Registration Permits Factsheet at <https://dnr.wi.gov/files/PDF/pubs/am/AM364.pdf>. Be sure to send copies of all calculations with the application.*

For additional information on calculating facility-wide annual actual emissions, see the Type A Registration Permit Application Guide under the Registration Permit tab available at DNR's Air Permit options website: <https://dnr.wi.gov/topic/AirPermits/Options.html>

What does this question mean?

Refer back to Question 7 for information on calculating emissions.

9. Stacks

Question 9:

Answer the following 3 questions about stacks at your facility. Exclude stacks that vent insignificant emissions units or insignificant pollutants.

- 9a.** Are any stacks shorter than nearby buildings?
- 9b.** Do any stacks discharge horizontally or in a downward direction?
- 9c.** Do any stacks have rain hats or other devices that obstruct air flow?

If you answer YES to any of these questions, you will need to attach the results of an air quality modeling analysis to the application for coverage to demonstrate that the facility emissions do not cause or exacerbate a violation of the ambient air quality standards. If the facility had a modeling analysis done for a previous permit review and no changes to emission rates or stacks have been made since the analysis was performed, attach those results.

If the facility does not have old modeling results or if changes have been made since the analysis, the facility will need to have modeling performed. The facility may submit results in any format they choose or use Part 1 of the Modeling Assessment Form available at DNR's Air Permit options website under the Registration Permit tab: <https://dnr.wi.gov/topic/AirPermits/Options.html> or directly at <https://dnr.wi.gov/files/PDF/forms/4500/4530-156A.pdf>

ADDITIONAL INFORMATION:

For purposes of answering this question, an insignificant emissions unit is one that has maximum controlled emissions of each criteria pollutant less than 1 ton per year. An insignificant pollutant is a criteria pollutant with a facility-wide maximum controlled emission rate less than 5 tons per year.

Stack vented emissions must be exhausted from unobstructed discharge points that are within 10 degrees of vertical.

Stacks that are closed when the process is not operating, but that are open when the process is operating, are considered to be unobstructed. Stacks must be taller than any building that influences the dispersion of emissions from the stack. A building is considered to influence the dispersion of emissions if the stack is located within a circle around the building, the radius of which is 5 times the height of the building.

For additional help answering these questions, go to DNR's Air Permit options website under the Registration Permit tab at <https://dnr.wi.gov/topic/AirPermits/Options.html> for a link to the Type A Registration Permit Application Guide or visit DNR's Small Business Environmental Assistance Program website: <https://dnr.wi.gov/topic/smallbusiness/>.

What does this question mean?

A facility will meet the Registration Permit stack requirements if all stacks at the facility other than stacks that are general building ventilation or stacks venting the emission units listed in Appendix A can meet the following:

- The stacks at the facility must be taller than all buildings on which they are located and all buildings that could significantly influence the stacks' emissions as they spread out from their exhaust points into the surrounding area (see example below for how this is determined). A building is considered to influence a stack's emissions if the stack is located within 5 building heights of that building.

- All stacks at the facility must discharge upwards (within 10 degrees of vertical).
- All stacks at the facility must discharge to the atmosphere without alteration of flow due to an obstruction (e.g., rain hat) while the process they serve is operating.

See the diagram for illustration.

Figure 9.1 Stack heights Relative to Nearby Buildings (Side Perspective-- not to scale)

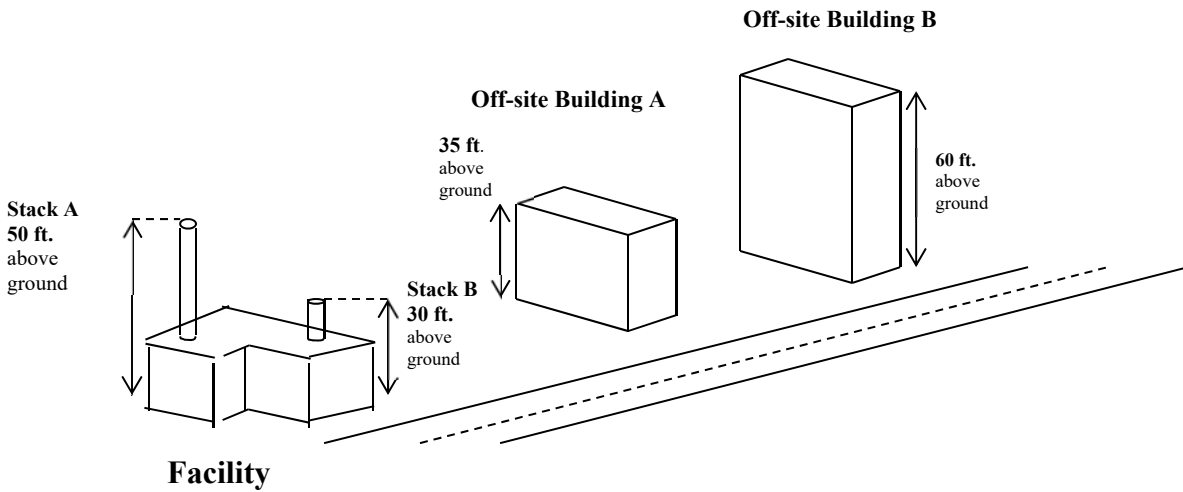
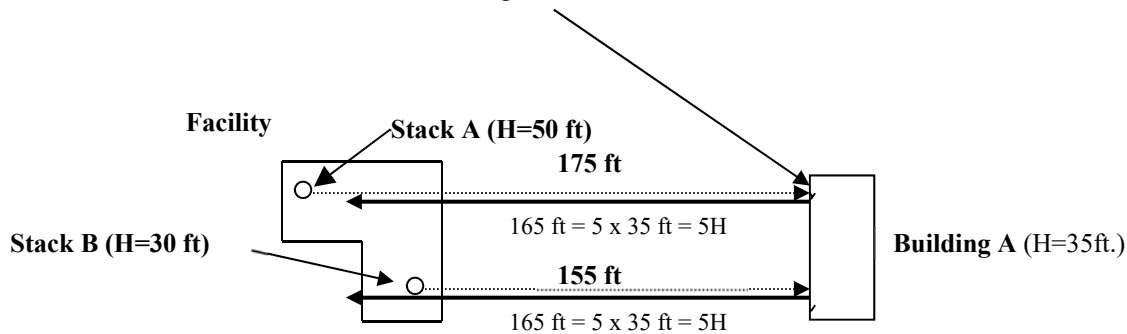


Figure 9.2 Stack heights Relative to Nearby Buildings (Top View-- not to scale)

This edge (side) of Building A is the shortest distance between Stack A and Building A.



In the example depicted in Figures 9.1 and 9.2, all facility stacks and nearby buildings should be individually evaluated in all combinations by determining the nearest point on a given building's perimeter (e.g. Building A) to the stack being evaluated (e.g. Stack A) and then checking whether the distance between that point and the stack is less than five times the building's (e.g. Building A) height (**the "5H-range"**). In this example, only the 30-foot stack at the facility is within the 5H-range of Building A. Since Building A has a height of 35 feet, the height of Stack B would have to be raised to higher than 35 feet, in order to answer YES to Question 9.

To further illustrate other possible cases, here are several variations of this example:

- Consider the possibility that Building B (H=60 ft) was located close enough to the facility that the 50-foot stack was within the 5H-range for Building B (300 ft). In that case, both stacks would have to be raised above 60 feet in order to answer YES to Question 9.
- Consider the case where Building A had a height of 25 feet. In that case, the 30-foot Stack B would be greater than that building's height and, if all other facility stacks meet the 5H-range test for all nearby buildings, then answer YES to Question 9.
- Consider the case where Building A was located on the facility's property and was owned by the facility. Ownership of buildings and whether the locations of buildings are on or off the facility's property are not taken into consideration. In other words, all buildings, whether owned by the facility or not and whether located on the facility's property or not, must be evaluated if they are possibly within the 5H-range for one or more facility stacks.
- There may be buildings all around a facility which require evaluation, rather than just a few along a single street, and in that case their 5H-ranges would also require comparison to the facility's stack locations.
- If there are no buildings in the usual sense, but there are large structures on or off the facility, their heights and proximity to facility stacks must be evaluated if they can be expected to influence the dispersion of emissions from a stack.
- Finally, consider the case where the facility has a stack attached to the side of its own building but that stack is not taller than that building. In this case, the stack height must be raised above the building height, in order to answer YES to Question 9, assuming that no other nearby buildings would require the stack to be raised even higher.

Again, some stacks do not need to be considered when determining if the facility meets the stack requirements. These include stacks whose only purpose is for general building ventilation and stacks that serve emission units listed in Appendix A of this Guide.

What if any one of the facility's stacks does not meet the stack requirements?

If any of the stacks at the facility do not meet the requirements listed above, the facility may still be able to qualify for coverage under the Registration Permit. Use air quality modeling performed previously as part of issuance of an Operation Permit, or perform a computer modeling analysis to determine whether the predicted impact from the facility meets national ambient air quality standards (NAAQS).

Can an existing Operation Permit be used to determine if the stacks meet the Registration Permit stack requirements?

If the facility was modeled by the department for issuance of a facility wide Operation Permit, the modeling results can be used to show that the facility meets NAAQS. As part of the evaluation of whether or not existing permits can be revoked, the department will perform a review of the NAAQS. If the facility's emission rates, as allowed under the Registration Permit at current stack configurations, are not protective of the NAAQS, the existing facility-wide permit will not be revoked and will not be eligible for coverage under this permit. If facility-wide modeling data is available for the entire facility, the department will indicate that current stack configurations and allowable emissions rates are protective of the NAAQS. Complete Part 1 of the Modeling Assessment in Attachment 1 and submit it with the signed copy of the Registration Permit application.

Can a facility do its own computer modeling to determine if the stacks meet the NAAQS?

A facility may choose to perform a more refined modeling analysis using the current USEPA-accepted refined model. The refined model is a complex model that will typically require the help of a trained consultant. The Wisconsin DNR's modeling website is located here: <https://dnr.wi.gov/topic/airpermits/modeling.html>. Whether a facility runs the model themselves or hires a consultant to run the dispersion model, the facility will need to make sure to use the correct emission rates in the modeling analysis.

Which pollutants does a facility need to include in the modeling analysis?

First a facility needs to figure out which emission units and pollutants to include in the modeling analysis. The emission units listed in Appendix A do not need to be included. Also, facilities do not need to include emissions from general building ventilation. The modeling required in this section is only for particulate matter, sulfur dioxide, nitrogen oxide, carbon monoxide, and lead. Providing results for hazardous air pollutants with the application for coverage under this Registration Permit is not required, although each facility will need to be able to demonstrate compliance with ch. NR 445 when completing the annual certification of compliance for the Registration Permit.

If the maximum controlled facility-wide emissions of particulate matter, sulfur dioxide, nitrogen oxide, carbon monoxide or lead is less than five tons per year, the facility does not need to provide modeling results for that pollutant. If the maximum controlled emissions of all pollutants from any single emission unit are all less than one ton per year, that emission unit does not need to be included in the model.

To calculate the maximum controlled annual emissions, first calculate the maximum controlled hourly emissions as described below. Then multiply the maximum controlled hourly emissions by 8,760 hours per year to obtain the annual emission rate. If it is not physically possible to operate 8,760 hours per year, facilities are allowed to take into consideration realistic operating scenarios. For example, if the facility cannot operate when the ground is frozen, it may omit months where the ground is frozen from the calculations. If the operation is a batch process that requires a certain amount of down time to change out batches or equipment, the facility may use fewer operating hours per year. A written copy of how the annual maximum controlled emissions were calculated and a justification of the hours per year used, if less than 8,760 hours, must be retained by the facility.

How does a facility calculate the emission rates to use in the model?

The emission rates that must be used in the model are the maximum controlled hourly emission rates. To calculate the maximum controlled hourly emissions of air pollutants, use the maximum rated capacity of each unit and either emission factors published by USEPA, the equipment manufacturer, trade associations, or emission factors developed from stack testing data at the facility. Refer to Question 6 on Emission Limits for more information on ways to calculate the facility's maximum hourly emissions.

If the facility uses a control device on the emission unit to control emissions of particulate matter, use the control efficiency to reduce the maximum hourly emissions. These are the maximum controlled hourly emissions. Only control devices listed in the Registration Permit or listed in an applicable requirement that the emission unit is subject to may be used in this calculation. Also, only the control efficiency listed in the Registration Permit for that control device may be used unless higher control efficiency is required in an applicable requirement to which the emission unit is subject.

How does a facility prove that it passes modeling?

Facilities will need to print and fill out Part 1 of the Modeling Assessment Form 4530-156A and provide it with the signed copy of the Registration Permit application. Form 4530-156A is also available at <https://dnr.wi.gov/files/PDF/forms/4500/4530-156A.pdf>. Facilities will also need to retain either an electronic or paper copy of the modeling analysis input and output on site and available for inspection for the duration of the facility's coverage under the Registration Permit.

What if a facility needs more assistance in answering this question?

Contact the Registration Permit Coordinator at 608-273-5605, or email DNRamROPSairpermit@wisconsin.gov for additional help in determining if the facility's stacks meet the stack requirements of the Registration Permit or for direction on determining how to get an air quality modeling assessment done for the facility.

10. Particulate Matter

Question 10:

What is the maximum controlled annual emission rate of particulate matter? _____

- If the answer is less than or equal to 5 tons per year, the application is finished.
- If the answer is greater than 5 tons per year, an air quality dispersion modeling analysis must be performed for the facility.
- If the facility meets all the stack requirements in Question 9, use the modeling request form to provide information to the DNR and we will model for the facility, or submit air quality dispersion modeling results with the signed Registration Permit Application. Note, units in which maximum controlled emissions of each criteria pollutant are less than one ton per year are considered insignificant and do not need to be included in the modeling. The application will not be complete until a modeling request form or modeling results are received.

ADDITIONAL INFORMATION: For help in answering this question, see the Registration Permit Application Guide available at DNR's Air Permit options website: <https://dnr.wi.gov/topic/AirPermits/Options.html> or visit DNR's Small Business Environmental Assistance Program website: <https://dnr.wi.gov/topic/smallbusiness/>.

If maximum controlled emissions of particulate matter are greater than five tons per year, the facility will need an air quality dispersion modeling analysis to ensure that the ambient air quality standards can be met. If the facility meets all the stack requirements in Question 9, request DNR to perform the analysis for the facility by filling out and attaching the Modeling Assessment Request Form available at DNR's Air Permit options website under the Registration Permit tab at <https://dnr.wi.gov/topic/AirPermits/Options.html>

Complete, print and attach the Modeling Assessment Request Form to the application for coverage. If the facility does not meet the stack requirements, an air quality dispersion modeling analysis will need to be provided and the results attached to this application. Facilities may use the Modeling Assessment Form available at DNR's Air Permit options website: <https://dnr.wi.gov/topic/AirPermits/Options.html>. If the facility had a modeling analysis done previously and have not made changes to emission rates or stacks since the analysis was performed, attach those results in lieu of submitting or requesting or performing a new analysis.

What does this question mean?

In order to protect NAAQS, the Registration Permit contains the annual limit on emissions and special stack requirements. Particulate matter is the one pollutant whose standards may not always be protected by these requirements, and it is also a commonly emitted pollutant at the small facilities likely to be eligible for the Registration Permits. Therefore, it is necessary to include special conditions in the Registration Permit to protect the 24-hour standard for particulate matter. Facilities with *maximum controlled emissions* below five tons per year are small sources of particulate matter and the department can safely assume that their emissions will not violate an air quality standard. However, if the facility has maximum controlled emissions of particulate matter equal to or greater than five tons per year, an air quality dispersion model will need to be run as part of the review of the Registration Permit Application.

If the facility's stacks meet the Registration Permit requirements, the department will perform this modeling. If one or more of the stacks do not meet the Registration Permit stack requirements, then the facility will be required to produce their own modeling results and submit them with the application for coverage.

How can a facility calculate the maximum controlled emissions of particulate matter?

First, a facility needs to determine which emission units to include in their calculation. The emission units listed in Appendix A do not need to be included. Also, facilities do not need include emissions from general building ventilation. If a facility has particulate matter coming off a process line that is vented to the inside of the building, the facility does not need to determine how much is emitted from general building vents.

Second, facilities need to calculate the maximum **hourly** emissions of particulate matter from all the other emission units at the facility. This is determined by using the maximum rated capacity and either emission factors published by USEPA, the equipment manufacturer, trade associations, or from stack testing data.

Third, if the facility used a control device on the emission unit to control emissions of particulate matter, the facility may use the control efficiency to reduce the maximum *hourly* emissions. These are the maximum controlled hourly emissions. Only control devices listed in the Registration Permit or listed in an applicable requirement that the emission unit is subject to may be used in this calculation. Also, only the control efficiency listed in the Registration Permit for that control device may be used unless higher control efficiency is required in an applicable requirement that the emission unit is subject to.

Finally, the facility needs to calculate the **annual** maximum controlled emissions. Multiply the maximum controlled hourly emissions by 8,760 hours per year to obtain the annual emission rate. If it is not physically possible to operate 8,760 hours per year, the facility is allowed to take into consideration realistic operating scenarios. For example, if the facility cannot operate when the ground is frozen, the facility may take that into consideration. If the facility operation is a batch process that requires a certain amount of down time to change out batches or equipment, the facility may also consider this when determining the maximum hours of operation. A written copy of how the **annual** maximum controlled emissions were calculated and a justification of the hours per year used, if less than 8,760 hours, must be retained by the facility.

What must a facility do if the particulate matter emissions are at or over five tons per year?

If the annual maximum controlled particulate matter emissions from the facility are greater than or equal to five tons per year, then air quality modeling must be performed for the facility. If the facility meets the Registration Permit stack requirements, the Department will perform modeling for the facility. Complete Part 2 of the Modeling Assessment Form 4530-156A available by link in the Registration Permit Application and <https://dnr.wi.gov/files/PDF/forms/4500/4530-156A.pdf>. Complete and submit Form 4530-156A with the signed Registration Permit Application. The department will perform air quality modeling and inform the facility whether or not the facility is eligible to be covered under the Registration Permit within 15 business days of receipt of the complete signed application.

Even if the stacks meet the Registration Permit stack requirements, the facility may have modeling results from previous modeling performed at the facility. If this is the case, complete Part 1 of the Modeling Assessment Form 4530-156A with the results of the particulate matter modeling and submit the form with the signed hard copy of the Registration Permit Application.

Finally, if the stacks do not meet the Registration Permit stack requirements, the facility will be required to provide air quality modeling results for all pollutants at the facility. See Question 9 on page 35 for more information on air quality modeling and which emissions sources and pollutants will need to be modeled to provide modeling results for particulate matter, as well as any other air pollutants, using Part 1 of the Modeling Assessment Form 4530-156A.

What if a facility still needs help calculating maximum controlled emissions of particulate matter?

If a facility still needs assistance answering this question, contact the Registration Permit Coordinator at 608-273-5605, or email DNRamROPSairpermit@wisconsin.gov for additional help.

DISCLAIMER—This document is intended solely as guidance and does not contain any mandatory requirements except where requirements found in statute or administrative rule are referenced. This guidance does not establish or affect legal rights or obligations and is not finally determinative of any of the issues addressed. This guidance does not create any rights enforceable by any party in litigation with the State of Wisconsin or the Department of Natural Resources. Any regulatory decisions made by the Department of Natural Resources in any matter addressed by this guidance will be made by applying the governing statutes and administrative rules to the relevant facts.

The Wisconsin Department of Natural Resources provides equal opportunity in employment, programs, services and functions under an Affirmative Action Plan. If you have any questions, please write to Equal Opportunity Office, Department of Interior, Washington, DC 20240. This publication is available in alternative format (large print, Braille, audio tape, etc.) upon request. Please contact the Bureau of Air Management, phone 608-266-7718, for more information.



Wisconsin Department of Natural Resources
Bureau of Air Management
Box 7921- AM/7
Madison, WI 53707
PHONE 608-266-7718 • FAX 608-267-0560
Publication AM-539 2019

APPENDIX A – Emission Units Not Subject To Certain Registration Permit Requirements

1. Convenience space heating units with heat input capacity of less than 5 million BTU per hour that burn gaseous fuels, liquid fuels or wood
2. Convenience water heating
3. Maintenance of grounds, equipment and buildings, including lawn care, pest control, grinding, cutting, welding, painting, woodworking, general repairs and cleaning, but not including use of organic compounds as clean-up solvents
4. Boiler, turbine, generator, heating and air conditioning maintenance
5. Pollution control equipment maintenance
6. Internal combustion engines used for warehousing and material transport, forklifts and courier vehicles, front end loaders, graders and trucks, carts and maintenance trucks
7. Fire control equipment
8. Janitorial activities
9. Office activities
10. Fuel oil storage tanks with a capacity of 10,000 gallons or less
11. Stockpiled contaminated soils
12. Demineralization and oxygen scavenging of water for boilers
13. Purging of natural gas lines
14. Any emission unit, operation, or activity that has, for each air contaminant, maximum controlled emissions that are less than the level specified in Table 3 of ch. NR 407, Wis. Adm. Code. Multiple emissions units, operations, or activities that perform identical or similar functions shall be combined for the purposes of this determination.
15. If the maximum controlled emissions of any air contaminants listed in Table 3 of ch. NR 407, Wis. Adm. Code, from all emission units, operations or activities at a facility are less than 5 times the level specified in Table 3, for those air contaminants, any emission unit operation or activity that emits only those air contaminants.

NOTE: Additional information is located in Table 3 of ch. NR 407, Wis. Adm. Code (https://docs.legis.wisconsin.gov/code/admin_code/nr/400/407.pdf).

APPENDIX B - Categories of Sources Required to Include Fugitive Particulate Matter Emissions in Their Emission Calculations

1. Coal cleaning plants with thermal dryers
2. Kraft pulp mills
3. Portland cement plants
4. Primary zinc smelters
5. Iron and steel mills
6. Primary aluminum ore reduction plants
7. Primary copper smelters
8. Municipal incinerators capable of charging more than 250 tons of refuse per day.
9. Hydrofluoric, sulfuric or nitric acid plants
10. Petroleum refineries
11. Lime plants
12. Phosphate rock processing plants
13. Coke oven batteries
14. Sulfur recovery plants
15. Carbon black plants, furnace process
16. Primary lead smelters
17. Fuel conversion plants
18. Sintering plants
19. Secondary metal production plants
20. Chemical process plants (The chemical processing plants category does not include ethanol production facilities that produce ethanol by natural fermentation, as described by the 6-digit code of 312140 or 325193 in the North American Industry Classification System United States, 2007)
21. Fossil-fuel boilers, or combination thereof, totaling more than 250 million BTU per hour heat input
22. Petroleum storage and transfer units with a total storage capacity exceeding 300,000 barrels
23. Taconite ore processing plants
24. Glass fiber processing plants
25. Charcoal production plants
26. Fossil-fuel-fired steam electric plants of more than 250 million BTU per hour heat input
27. Any other stationary source category not included in this paragraph which as of August 7, 1980 is being regulated under section 111 or 112 of the Act (42 USC 7411 or 7412).

APPENDIX C – National Emissions Standards for Hazardous Air Pollutants (NESHAP) Source Categories

Promulgation dates and other information is available on EPA's website: <https://www.epa.gov/stationary-sources-air-pollution/national-emission-standards-hazardous-air-pollutants-neshap-9>.

Aerospace	Generic MACT +
Asbestos	<ul style="list-style-type: none">• Acetal Resins
Asphalt Processing and	<ul style="list-style-type: none">• Hydrogen Fluoride
Asphalt Roofing Manufacturing	<ul style="list-style-type: none">• Polycarbonates Production
Auto & Light Duty Truck (surface coating)	<ul style="list-style-type: none">• Acrylic/Modacrylic Fibers
Benzene Waste Operations*	Generic MACT +
Boat Manufacturing	<ul style="list-style-type: none">• Carbon black production
Brick and Structural Clay Products Manufacturing	<ul style="list-style-type: none">• Cyanide chemicals mfg.
Clay Ceramics Manufacturing	<ul style="list-style-type: none">• Ethylene processes
Cellulose Products Manufacturing/Miscellaneous	<ul style="list-style-type: none">• Spandex production
Viscose Processes	Hazardous Waste Combustion
<ul style="list-style-type: none">• Cellulose Food Casing	<ul style="list-style-type: none">• Hazardous Waste Incinerators (A)
<ul style="list-style-type: none">• Rayon	<ul style="list-style-type: none">• Hazardous Waste Incinerators (M)
<ul style="list-style-type: none">• Cellulosic Sponge	Hazardous Organic NESHAP
<ul style="list-style-type: none">• Cellophane	(Synthetic Organic Chemical Manufacturing Industry)
<ul style="list-style-type: none">• Cellulose Ethers Production	Hydrochloric Acid Production
<ul style="list-style-type: none">• Caroxymethyl Cellulose	<ul style="list-style-type: none">• Fumed Silica Production
<ul style="list-style-type: none">• Methyl Cellulose	Industrial, Commercial and Institutional Boilers and Process Heaters
<ul style="list-style-type: none">• Cellulose Ethers	Industrial Cooling Towers
Chromium Electroplating	Integrated Iron and Steel
<ul style="list-style-type: none">• Chromic Acid Anodizing	Iron and Steel Foundries*
<ul style="list-style-type: none">• Decorative Chromium Electroplating	Large Appliances (surface coating)
<ul style="list-style-type: none">• Hard Chromium Electroplating	Leather Finishing Operations
Clean Air Mercury Rule	Lime Manufacturing
Coke Ovens: Pushing, Quenching,& Battery Stacks*	Magnetic Tape (surface coating)
Coke Ovens	Manufacturing Nutritional Yeast (formerly Bakers Yeast)
<ul style="list-style-type: none">• Charging, Top Side, and Door Leaks	Marine Vessel Loading Operations
Combustion Sources at Kraft, Soda, and Sulfite Pulp & Paper Mills (Pulp and Paper MACT II)	Mercury Cell Chlor-Alkali Plants (formerly Chlorine Production)
Commercial Sterilizers	Metal Can (surface coating)
<ul style="list-style-type: none">• Commercial Sterilization Facilities	Metal Coil (surface coating)
Degreasing Organic Cleaners	Metal Furniture (surface coating)
<ul style="list-style-type: none">• Halogenated Solvent Cleaners	Mineral Wool Production
Dry Cleaning	Misc. Coating Manufacturing
<ul style="list-style-type: none">• Commercial drycleaning dry-to-dry	Misc. Metal Parts and Products (surface coating)
<ul style="list-style-type: none">• Commercial drycleaning transfer machines	<ul style="list-style-type: none">• Asphalt/Coal Tar Application to Metal Pipes
<ul style="list-style-type: none">• Industrial drycleaning dry-to-dry	Misc. Organic Chemical Production and Processes (MON)
<ul style="list-style-type: none">• Industrial drycleaning transfer machines	<ul style="list-style-type: none">• Alkyd Resins Production
Engine Test Cells/Standards (Combined with Rocket Testing Facilities)	<ul style="list-style-type: none">• Ammonium Sulfate Production
Fabric Printing, Coating & Dyeing	<ul style="list-style-type: none">• Benzyltrimethylammonium Chloride Prod.
Ferroalloys Production	<ul style="list-style-type: none">• Carbonyl Sulfide Production
Flexible Polyurethane Foam Fabrication Operation	<ul style="list-style-type: none">• Chelating Agents Production
Flexible Polyurethane Foam Production	<ul style="list-style-type: none">• Chlorinated Paraffins Production
Friction Products Manufacturing	
Gasoline Distribution (Stage 1)	
General Provisions	

- Ethyllidene Norbomene Production
- Explosives Production
- Hydrazine Production
- Maleic Anhydride Copolymers Production
- Manufacture of Paints, Coatings, & Adhesives
- OBPA/1, 3-diisocyanate Production
- Photographic Chemicals Production
- Phthalate Plasticizers Production
- Polyester Resins Production
- Polymerized Vinylidene Chloride Prod.
- Polymethyl Methacrylate Resins Prod.
- Polyvinyl Acetate Emulsions Prod.
- Polyvinyl Alcohol Production
- Polyvinyl Butyral Production
- Quaternary Ammonium Comp. Prod.
- Rubber Chemicals Production
- Symmetrical Tetrachloropyridine Production

Municipal Solid Waste Landfills

Natural Gas Transmission and Storage

Off-Site Waste Recovery Operations

Oil & Natural Gas Production

Organic Liquids Distribution (non-gasoline)

Paper and Other Web (surface coating)

Pesticide Active Ingredient Production

- 4-Chloro-2-Methyl Acid Production
- 2,4 Salts & Esters Production
- 4,6-dinitro-o-cresol Production
- Butadiene Furfural Cotrimer
- Captafol Production
- Captan Production
- Chloroneb Production
- Chlorothalonil Production
- Dacthal (tm) production
- Sodium Pentachlorophenate Production
- Tordon (tm) Acid Production

Petroleum Refineries

Petroleum Refineries

- Catalytic Cracking
- Catalytic Reforming
- Sulfur Plant Units
- Associated Bypass Lines

Pharmaceuticals Production

Phosphoric Acid/Phosphate Fertilizers

Plastic Parts (surface coating)

Plywood and Composite Wood Products (formerly
Plywood and Particle Board Manufacturing)

Polyether Polyols Production

Polymers & Resins I

- Butyl Rubber
- Epichlorohydrin Elastomers
- Ethylene Propylene Rubber
- Hypalon (TM) Production
- Neoprene Production

- Nitrile Butadiene Rubber
- Polybutadiene Rubber
- Polysulfide Rubber
- Styrene-Butadiene Rubber & Latex

Polymers & Resins II

- Epoxy Resins Production
- Non-Nylon Polyamides Production

Polymers & Resins III

- Amino Resins
- Phenolic Resins

Polymers & Resins IV

- Acrylonitrile-Butadiene-Styrene
- Methyl Methacrylate-Acrylonitrile+
- Methyl Methacrylate-Butadiene++
- Polystyrene
- Styrene Acrylonitrile
- Polyethylene Terephthalate
- Nitrile Resins

Polyvinyl Chloride and Copolymers Production

Portland Cement Manufacturing

Primary Aluminum

Primary Lead Smelting

Primary Copper

Primary Magnesium Refining

Printing and Publishing (surface coating)

Publicly Owned Treatment Works (POTW)

Pulp & Paper (non-combust) MACT I

Pulp & Paper (non-chem) MACT III

Reciprocating Internal Combustion Engines (RICE)
(NESHAP/NSPS)

Refractory Products Manufacturing

Reinforced Plastic Composites Production

Rubber Tire Manufacturing

Secondary Aluminum

Secondary Lead Smelters

Semiconductor Manufacturing

Shipbuilding & Ship Repair (surface coating)

Site Remediation

Solvent Extraction for Vegetable Oil Production

Stationary Combustion Turbines*

Steel Pickling-HCL Process

Taconite Iron Ore Processing

Tetrahydrobenzaldehyde Manufacture (Formerly
Butadiene Dimers Production)

Wet Formed Fiberglass Mat Production

Wood Building Products (surface coating) (formerly
Flat Wood Paneling Products)

Wood Furniture (surface coating)

Wool Fiberglass Manufacturing

APPENDIX D – Federally Regulated Hazardous Air Pollutants listed in s. 112(b), Clean Air Act

CAS Chemical		CAS Chemical	
Number	Name	Number	Name
75070	Acetaldehyde	94757	2,4-D, salts and esters
60355	Acetamide	3547044	DDE
75058	Acetonitrile	334883	Diazomethane
98862	Acetophenone	132649	Dibenzofurans
53963	2-Acetylaminofluorene	96128	1,2-Dibromo-3-chloropropane
107028	Acrolein	84742	Dibutylphthalate
79061	Acrylamide	106467	1,4-Dichlorobenzene(p)
79107	Acrylic acid	91941	3,3'-Dichlorobenzidine
107131	Acrylonitrile	111444	Dichloroethyl ether (Bis(2-chloroethyl)ether)
107051	Allyl chloride	542756	1,3-Dichloropropene
92671	4-Aminobiphenyl	62737	Dichlorvos
62533	Aniline	111422	Diethanolamine
90040	o-Anisidine	121697	N,N-Diethyl aniline (N,N-Dimethylaniline)
1332214	Asbestos	64675	Diethyl sulfate
71432	Benzene	119904	3,3'-Dimethoxybenzidine
92875	Benzidine	60117	Dimethyl aminoazobenzene
98077	Benzotrichloride	119937	3,3'-Dimethyl benzidine
100447	Benzyl chloride	79447	Dimethyl carbamoyl chloride
92524	Biphenyl	68122	Dimethyl formamide
117817	Bis(2-ethylhexyl)phthalate (DEHP)	57147	1,1-Dimethyl hydrazine
542881	Bis(chloromethyl)ether	131113	Dimethyl phthalate
75252	Bromoform	77781	Dimethyl sulfate
106990	1,3-Butadiene	534521	4,6-Dinitro-o-cresol, and salts
156627	Calcium cyanamide	51285	2,4-Dinitrophenol
105602	Caprolactam	121142	2,4-Dinitrotoluene
133062	Captan	123911	1,4-Dioxane (1,4-Diethyleneoxide)
63252	Carbaryl	122667	1,2-Diphenylhydrazine
75150	Carbon disulfide	106898	Epichlorohydrin (1-Chloro-2,3-epoxypropane)
56235	Carbon tetrachloride	106887	1,2-Epoxybutane
463581	Carbonyl sulfide	140885	Ethyl acrylate
120809	Catechol	100414	Ethyl benzene
133904	Chloramben	51796	Ethyl carbamate (Urethane)
57749	Chlordane	75003	Ethyl chloride (Chloroethane)
7782505	Chlorine	106934	Ethylene dibromide (Dibromoethane)
79118	Chloroacetic acid	107062	Ethylene dichloride (1,2-Dichloroethane)
532274	2-Chloroacetophenone	107211	Ethylene glycol
108907	Chlorobenzene	151564	Ethylene imine (Aziridine)
510156	Chlorobenzilate	75218	Ethylene oxide
67663	Chloroform	96457	Ethylene thiourea
107302	Chloromethyl methyl ether	75343	Ethylidene dichloride(1,1-Dichloroethane)
126998	Chloroprene	50000	Formaldehyde
1319773	Cresols/Cresylic acid (isomers and mixture)	76448	Heptachlor
95487	o-Cresol		
108394	m-Cresol		
106445	p-Cresol		
98828	Cumene		

CAS Number	Chemical Name	CAS Number	Chemical Name
118741	Hexachlorobenzene	7723140	Phosphorus
87683	Hexachlorobutadiene	85449	Phthalic anhydride
77474	Hexachlorocyclopentadiene	1336363	Polychlorinated biphenyls (Aroclors)
67721	Hexachloroethane	1120714	1,3-Propane sultone
822060	Hexamethylene-1,6-diisocyanate	57578	beta-Propiolactone
680319	Hexamethylphosphoramidate	123386	Propionaldehyde
110543	Hexane	114261	Propoxur (Baygon)
302012	Hydrazine	78875	Propylene dichloride (1,2-Dichloropropane)
7647010	Hydrochloric acid	75569	Propylene oxide
7664393	Hydrogen fluoride (Hydrofluoric acid)	75558	1,2-Propylenimine (2-Methyl aziridine)
7783064	Hydrogen sulfide	91225	Quinoline
123319	Hydroquinone	106514	Quinone
78591	Isophorone	100425	Styrene
58899	Lindane (all isomers)	96093	Styrene oxide
108316	Maleic anhydride	1746016	2,3,7,8-Tetrachlorodibenzo-p-dioxin
67561	Methanol	79345	1,1,2,2-Tetrachloroethane
72435	Methoxychlor	127184	Tetrachloroethylene (Perchloroethylene)
74839	Methyl bromide (Bromomethane)	7550450	Titanium tetrachloride
74873	Methyl chloride (Chloromethane)	108883	Toluene
71556	Methyl chloroform (1,1,1-Trichloroethane)	95807	2,4-Toluene diamine
60344	Methyl hydrazine	584849	2,4-Toluene diisocyanate
74884	Methyl iodide (Iodomethane)	95534	o-Toluidine
108101	Methyl isobutyl ketone (Hexone)	8001352	Toxaphene (chlorinated camphene)
624839	Methyl isocyanate	1208211	1,2,4-Trichlorobenzene
80626	Methyl methacrylate	79005	1,1,2-Trichloroethane
1634044	Methyl tert butyl ether	79016	Trichloroethylene
101144	4,4'-Methylene bis(2-chloroaniline)	95954	2,4,5-Trichlorophenol
75092	Methylene chloride (Dichloromethane)	88062	2,4,6-Trichlorophenol
101688	Methylene diphenyl diisocyanate (MDI)	121448	Triethylamine
101779	4,4'-Methylenedianiline	1582098	Trifluralin
91203	Naphthalene	540841	2,2,4-Trimethylpentane
98953	Nitrobenzene	108054	Vinyl acetate
92933	4-Nitrobiphenyl	593602	Vinyl bromide
100027	4-Nitrophenol	75014	Vinyl chloride
79469	2-Nitropropane	75354	Vinylidene chloride (1,1-Dichloroethylene)
684935	N-Nitroso-N-methylurea	1330207	Xylenes (isomers and mixture)
62759	N-Nitrosodimethylamine	95476	o-Xylenes
59892	N-Nitrosomorpholine	108383	m-Xylenes
56382	Parathion	106423	p-Xylenes
82688	Pentachloronitrobenzene (Quintobenzene)	--	Antimony Compounds
87865	Pentachlorophenol	--	Arsenic Compounds (inorganic including arsine)
108952	Phenol	--	Beryllium Compounds
106503	p-Phenylenediamine	--	Cadmium Compounds
75445	Phosgene	--	Chromium Compounds
7803512	Phosphine	--	Cobalt Compounds

--	Coke Oven Emissions	--	Fine mineral fibers ³
--	Cyanide Compounds ¹	--	Nickel Compounds
--	Glycol ethers ²	--	Polycyclic Organic Matter ⁴
--	Lead Compounds	--	Radionuclides (including radon) ⁵
--	Manganese Compounds	--	Selenium Compounds
--	Mercury Compounds		

NOTE: For all listings above that contain the word "compounds" and for glycol ethers, the following applies: Unless otherwise specified, these listings are defined as including any unique chemical substance that contains the named chemical (i.e., antimony, arsenic, etc.) as part of that chemical's infrastructure.

¹ X'CN where X = H' or any other group where a formal dissociation may occur. For example KCN or Ca(CN)₂

² Includes mono- and di- ethers of ethylene glycol, diethylene glycol, and triethylene glycol R-(OCH₂CH₂)_n - OR' where

n = 1, 2, or 3

R = alkyl or aryl groups

R' = R, H, or groups which, when removed, yield glycol ethers with the structure: R-(OCH₂CH₂)_n-OH.

Polymers are excluded from the glycol category.

³ Includes mineral fiber emissions from facilities manufacturing or processing glass, rock, or slag fibers (or other mineral derived fibers) of average diameter 1 micrometer or less.

⁴ Includes organic compounds with more than one benzene ring, and which have a boiling point greater than or equal to 100 ½ C.

⁵ A type of atom which spontaneously undergoes radioactive decay.