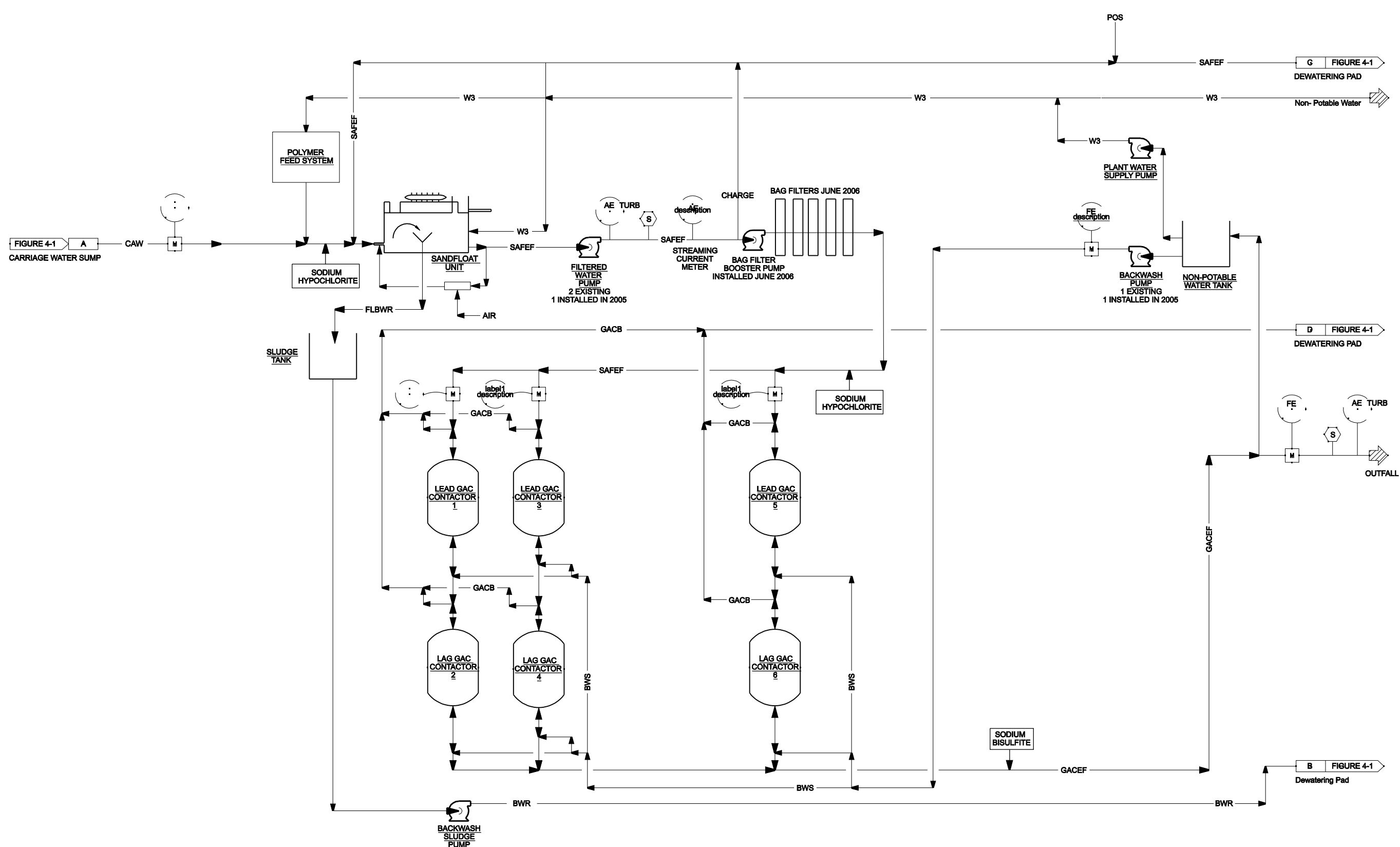


REVISIONS			
REV	DESCRIPTION	DATE	APPROVED



J.F. Brennan Co., Inc.
**FIGURE 7-1 WATER TREATMENT PLANT
 PROCESS FLOW DIAGRAM**

DRAWN BY:	ENGR:
APPROVED:	DATE: 1-10-07
SCALE: NTS	SIZE: ANSI D
DWG NO.:	REV: