

## Amphibian and Reptile Exclusion Fencing Protocols

Revised December 2008

---

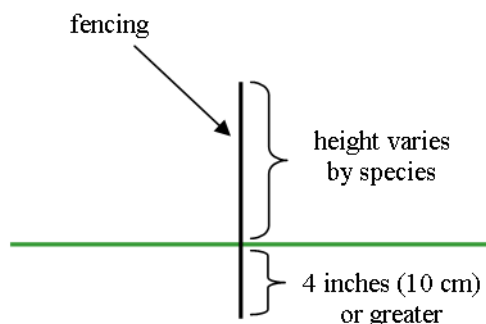
Amphibian and reptile exclusion fencing must be installed prior to the initiation of construction and prior to the species active period. The purpose of the fencing is to prevent amphibians and reptiles from accessing the construction zone. Amphibian and reptile exclusion fencing is standard silt fencing that is installed in the following manner:

- Fencing must be trenched into the soil at least 4 inches and the soils must be carefully compacted against both sides of the fence for its entire length to prevent animals from passing under the fence (Figure 1).
- Fencing should be installed with turn-arounds at the ends furthest from the wetland habitat and at any access openings needed in the fencing, in order to redirect animals away from openings (Figures 2, 3).
- Fences must be inspected at least twice weekly on non-consecutive days AND after any significant rain event (defined as a ¾ inch downpour or 1.5 inches of rain in any 24-hour period). Repairs to the fencing must be made within 24 hours of the inspection that first noted a fencing breach, such as a broken stake, hole in the fencing material, material pulled away from a stake, and objects, rain, wind or sediment that cause fences to sag which would allow the animals to overtop the fence.
- These fences must be maintained throughout the affected species' entire active period\* or until all construction and landscaping activities have been completed, whichever occurs first. If the project continues into more seasons, fencing must be maintained during the animal's active season until project completion.
- Additional sediment control fencing may be required as part of other Department permit conditions.

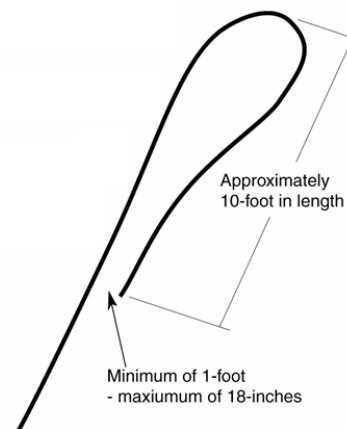
Additional requirements for individual species or taxa groups:

- Snakes: exclusion fencing for snakes must be installed with the fence stakes placed on the upland side of the fence (opposite the normal requirement for sediment control) to prevent the snakes from using the stakes to maneuver over the fencing. The vegetation on the side away from the construction footprint of the fence must be mowed immediately following fence installation to lower its canopy height. This vegetation must then be maintained at a height less than 8 inches during the growing season.
- Frogs: sediment fencing for frogs must be 36 inches tall to minimize the possibility that frogs will be able to jump over the fencing.

*\*Note: if fencing cannot be installed during the animal's inactive period, please contact Bob Hay (608-267-0849), DNR herpetologist, for further guidance, as there may be some latitude with the installation date based on weather-related conditions in spring.*



**Figure 1. Side view of fencing**



**Figure 2. Overhead view of fence turn-around**

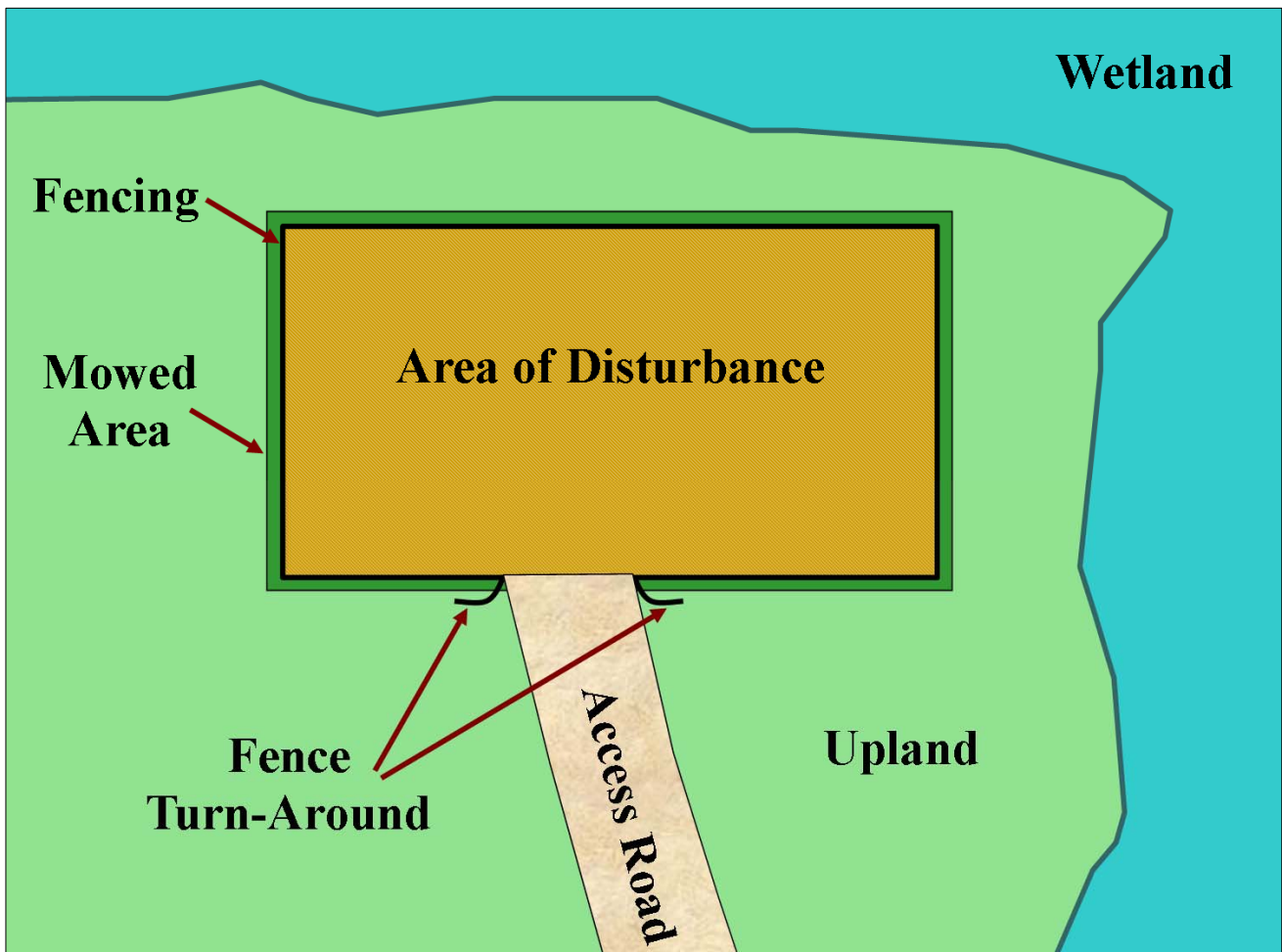


Figure 3. Site layout